

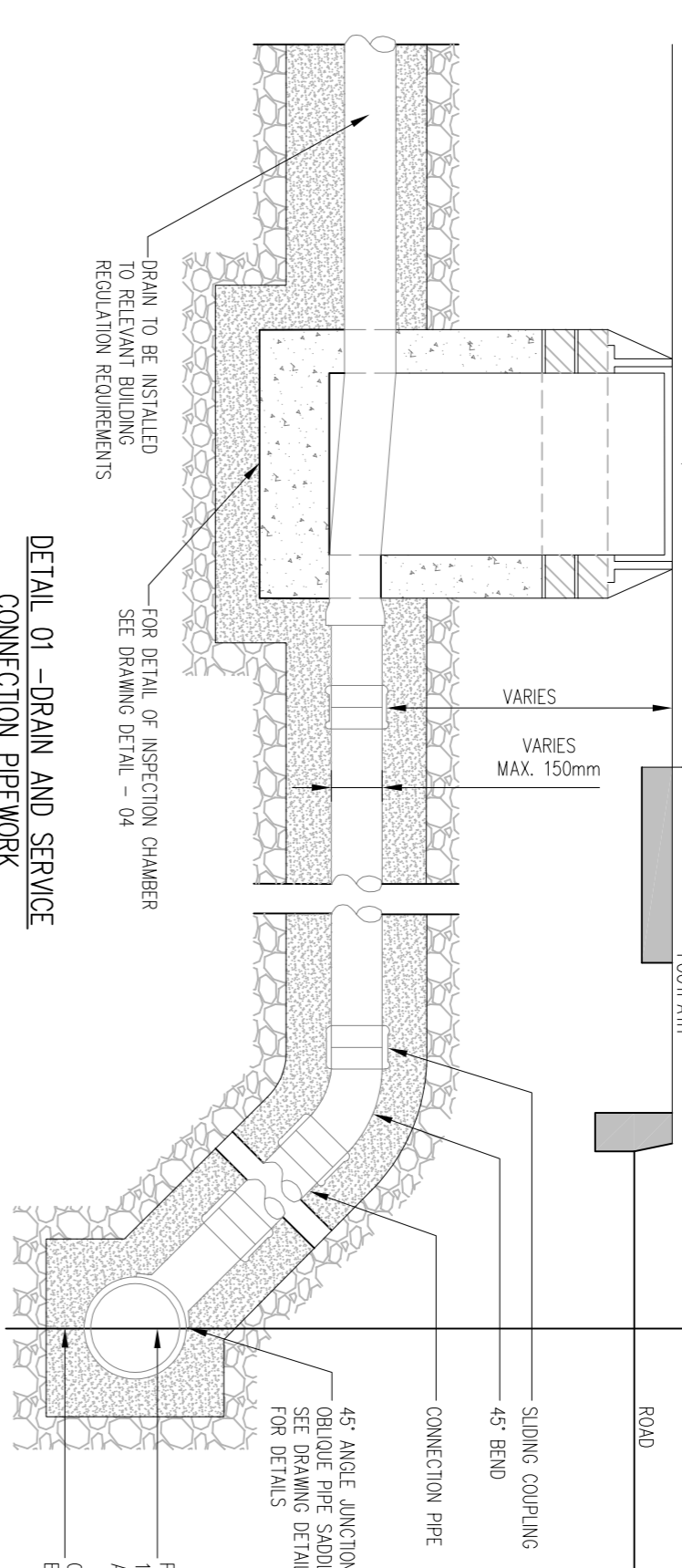
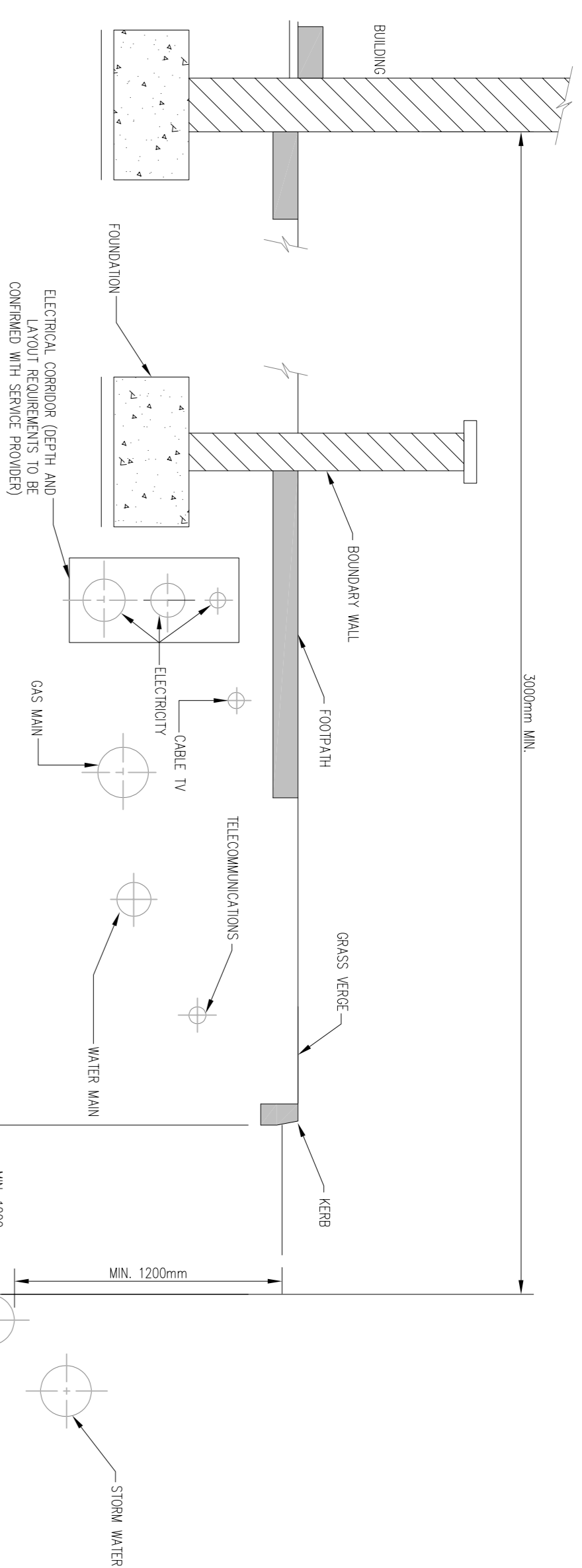
PROPERTY OWNER RESPONSIBILITY

PROPERTY OWNER RESPONSIBILITY

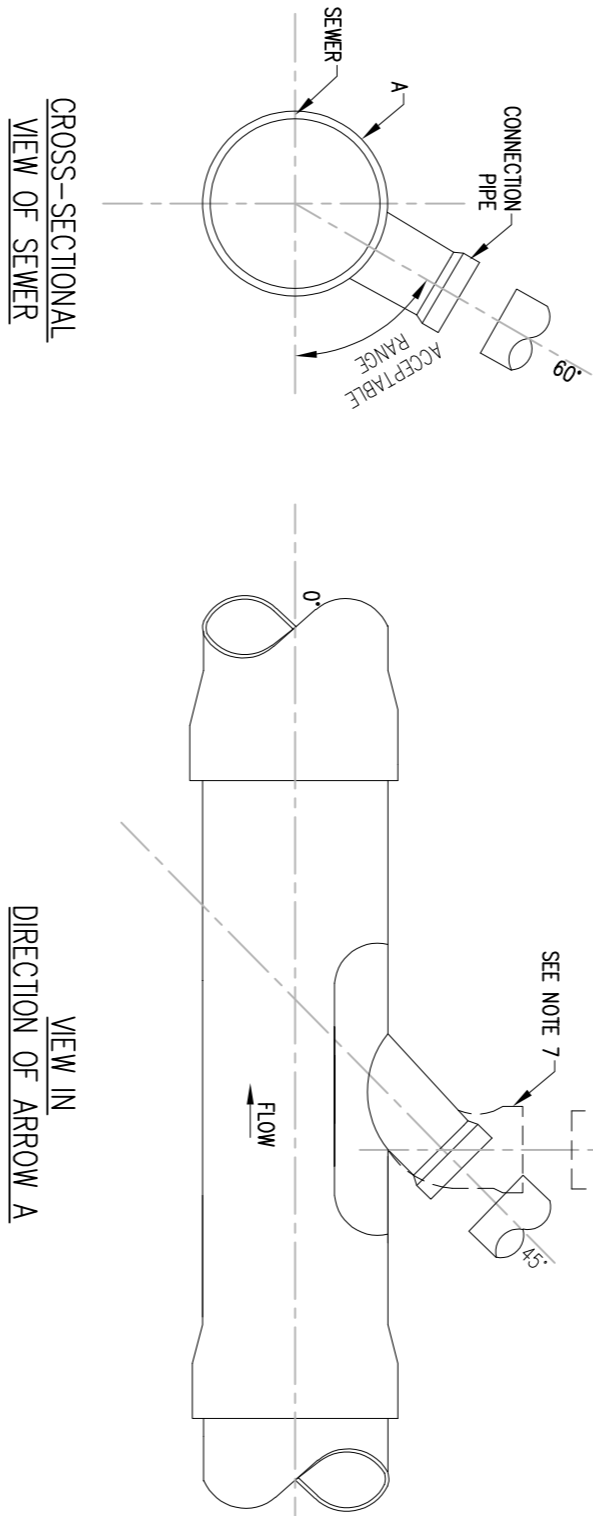
PROPERTY OWNER RESPONSIBILITY

SEWER FRESH WATER RESPONSIBILITY

PIPE SIZE (mm)	GRADIENT
100	1:60
150 - 225	1:150 MIN.

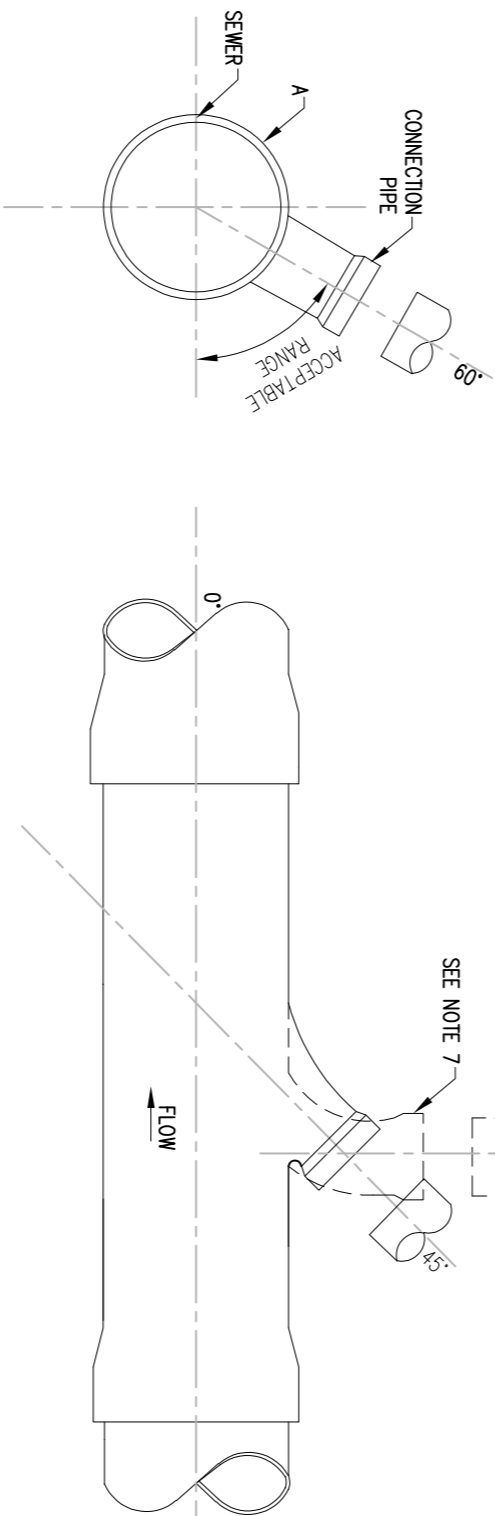


DETAIL 01 - DRAIN AND SERVICE CONNECTION PIPEWORK



CROSS-SECTIONAL VIEW OF SEWER

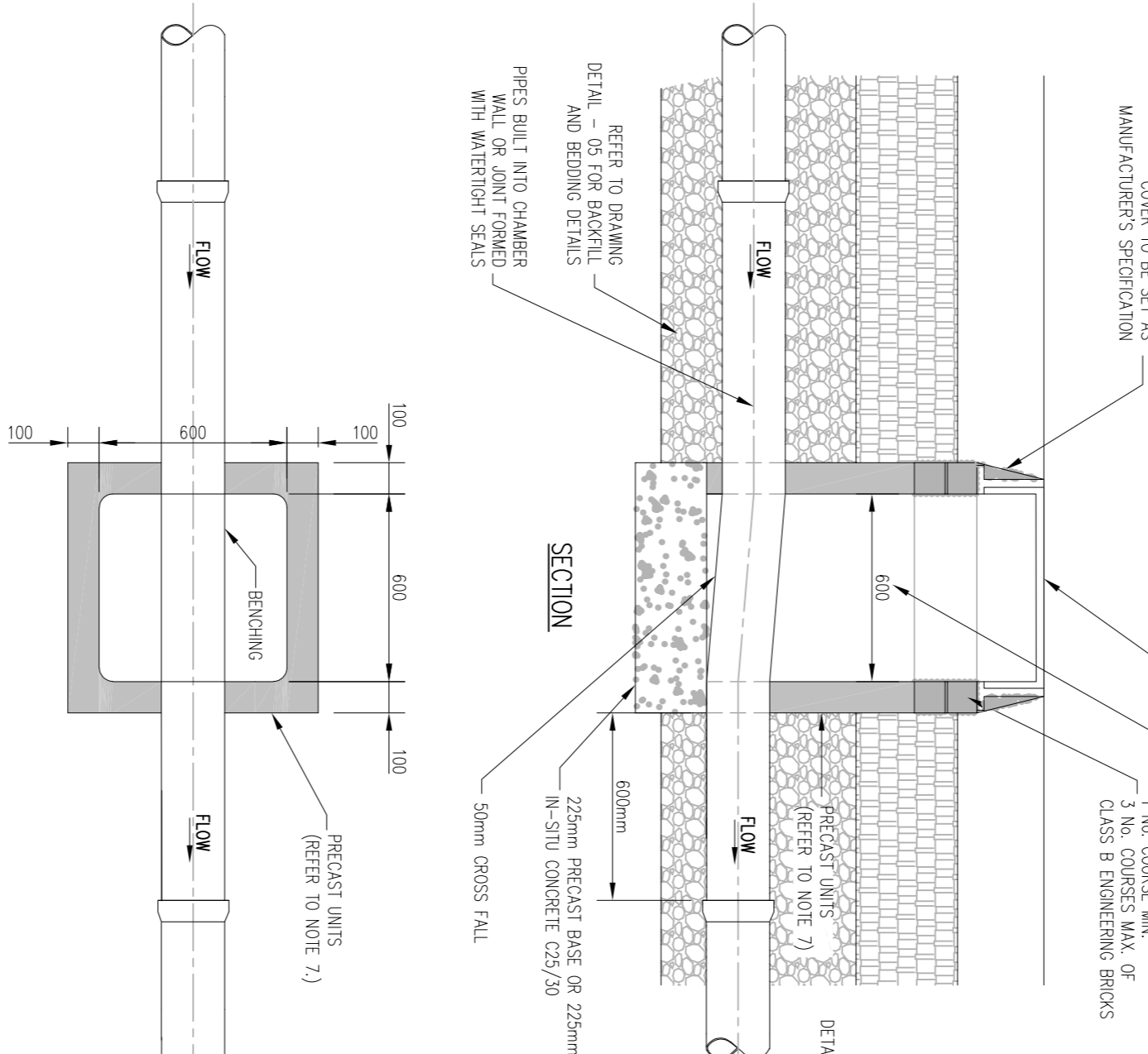
APPROVED 45° SADDLE CONNECTION



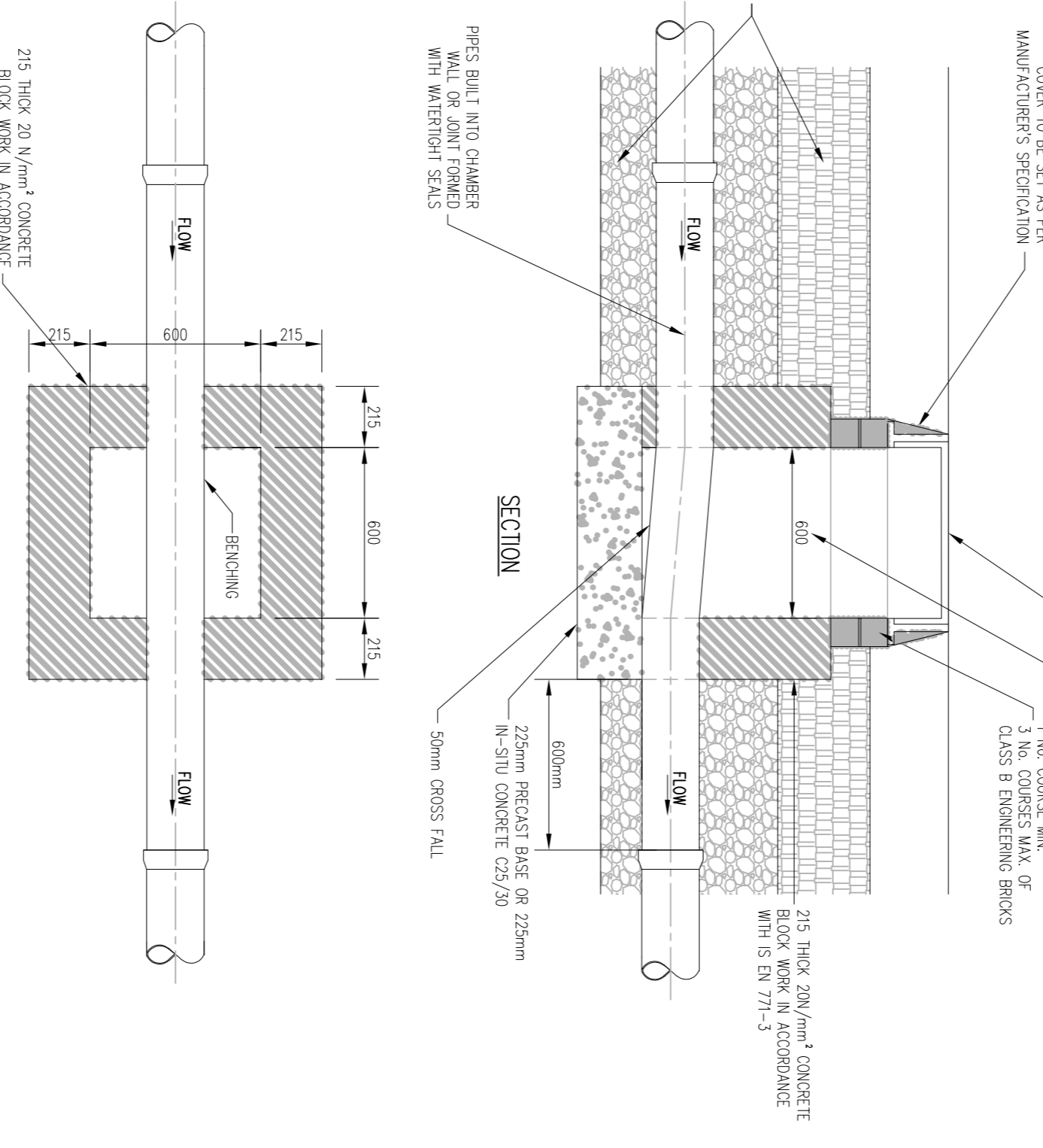
CROSS-SECTIONAL VIEW OF SEWER

45° JUNCTION PIPE CONNECTION

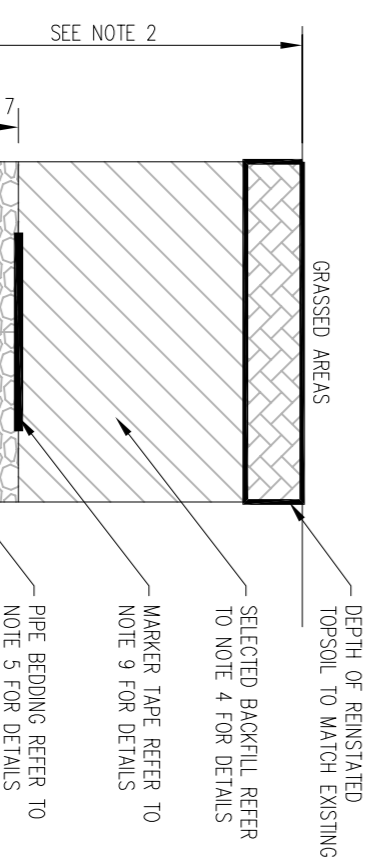
PLAN INSPECTION CHAMBER (PRECAST CONCRETE CONSTRUCTION)



PLAN INSPECTION CHAMBER (BLOCKWORK CONSTRUCTION)



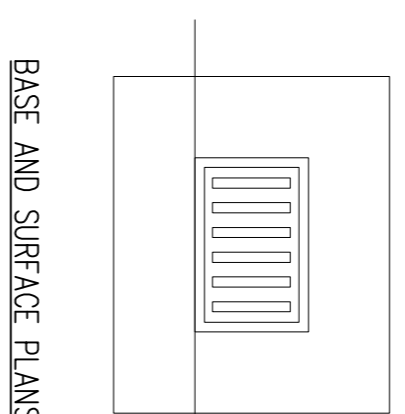
DETAIL 04 - PRIVATE SIDE INSPECTION CHAMBER



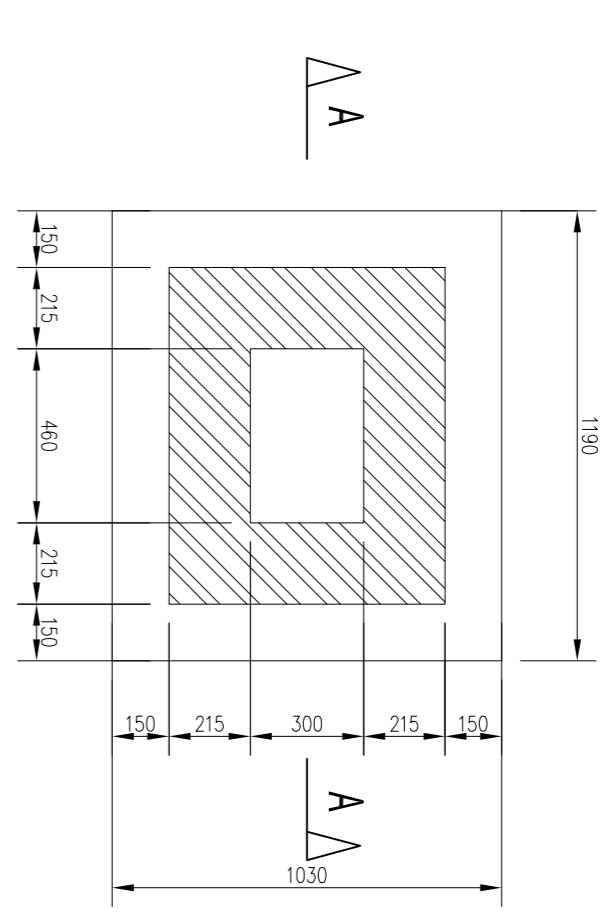
PIPE DIAMETER <math>A</math> (mm)	DEPTH OF BEDDING <math>C</math> (mm)
≤ 100	100
150 - 450	200

PIPE DIAMETER <math>A</math> (mm)	TRENCH WIDTH <math>B</math> (mm)
≤ 80 RISING MAIN	SEE NOTE 10
100	500
150	600
200	600
250	750
300	750
350	750
400	900
450	900

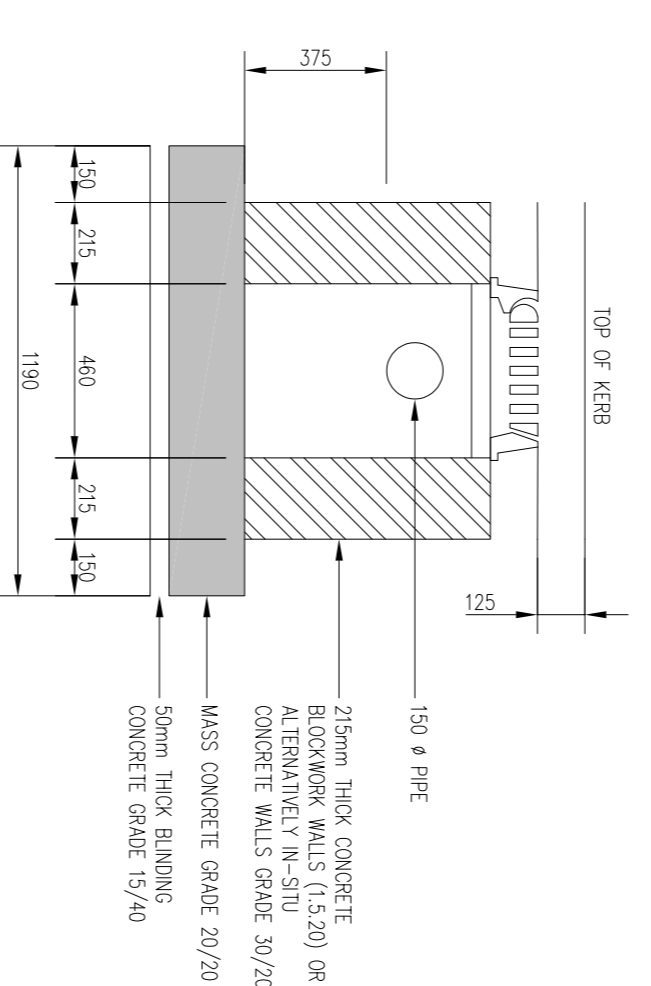
DETAIL 05 - TRENCH BACKFILL AND BEDDING



BASE AND SURFACE PLANS



SECTION A-A



SECTION A-A

NOTES

- GENERAL
- 1) THESE DRAWINGS TO BE READ IN CONJUNCTION WITH ALL RELEVANT HAYES HIGGINS ENGINEERING DRAWINGS AND SPECIFICATIONS.
- 2) DO NOT SCALE. USE FIGURED DIMENSIONS ONLY.
- 3) FOUL WATER/WASTE WATER TO CURRENT FRESH WATER SPECIFICATION AND DETAILS (HW-CDS-500-01).

NO.	DATE	DESCRIPTION	BY	CHKD BY
P	12/24/24	ISSUED FOR PLANNING	NH	LM
REV	DATE	DESCRIPTION	DATE BY	CHKD BY

PROJECT NAME  
RESIDENTIAL HOUSING DEVELOPMENT  
AT BLACKGLEN ROAD

CLIENT  
DUBLIN LAOCHAIRE COUNTY COUNCIL

PROJECT NO.	23D059
DRAWING NO.	04A
REVISION	P
SCALE	AS SHOWN
DATE DRAWN BY	28.03.24
R.O.C.	L.M.
APPROVED BY	D.H.

IRISH WATER FOUL & SURFACE DRAINAGE DETAILS SHEET 1 OF 4



The Glass House, 11 Coke Lane  
Smithfield, Dublin 7. Tel: 01 6612321  
E-mail: admin@hayeshiggins.ie  
Our House Linn, Kildenny, Tel: (086) 7764710  
Email: info@hh.ie