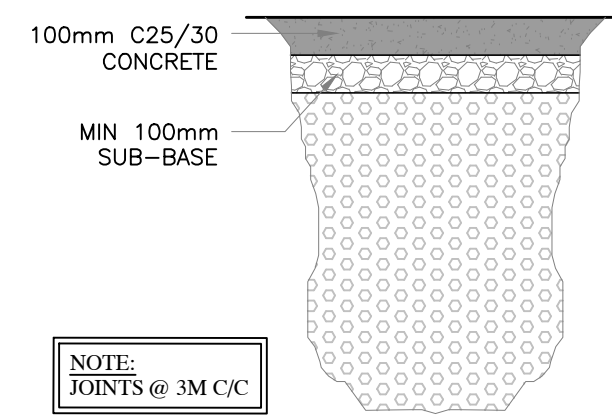


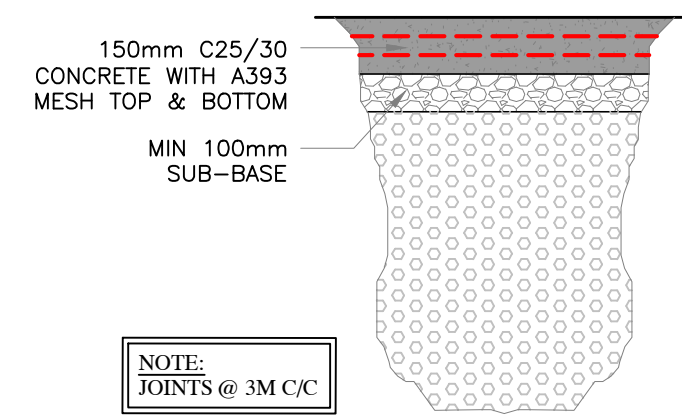
NOTES

GENERAL

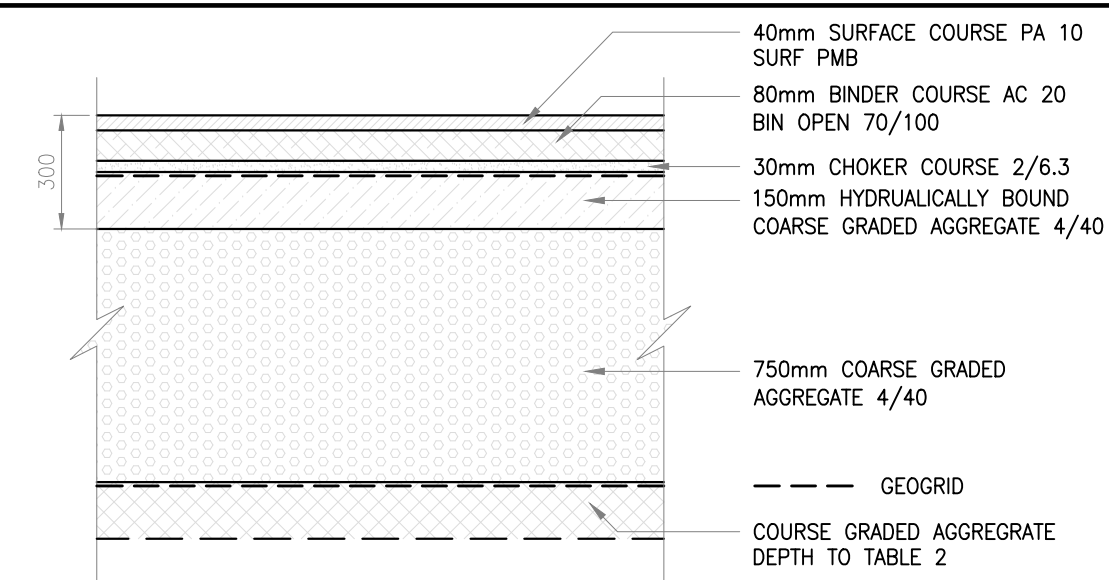
- 1.) THESE DRAWINGS TO BE READ IN CONJUNCTION WITH ALL RELEVANT HAYES HIGGINS ENGINEERING DRAWINGS AND SPECIFICATIONS.
- 2.) DO NOT SCALE. USE FIGURED DIMENSIONS ONLY.



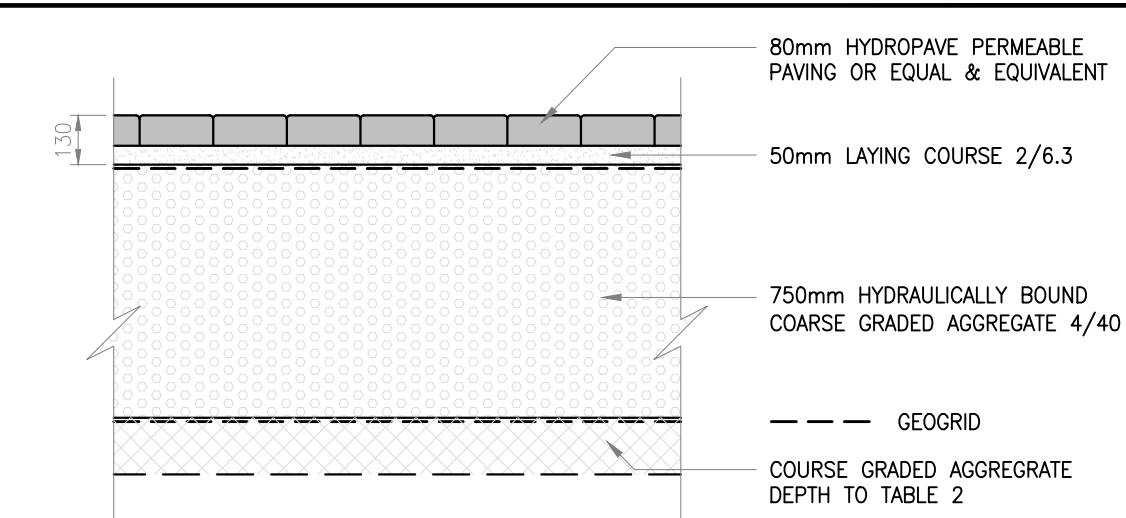
CONCRETE FOOTPATH BUILD UP
SCALE: 1:20



CONCRETE FOOTPATH AT DROPPED KERB
SCALE: 1:20

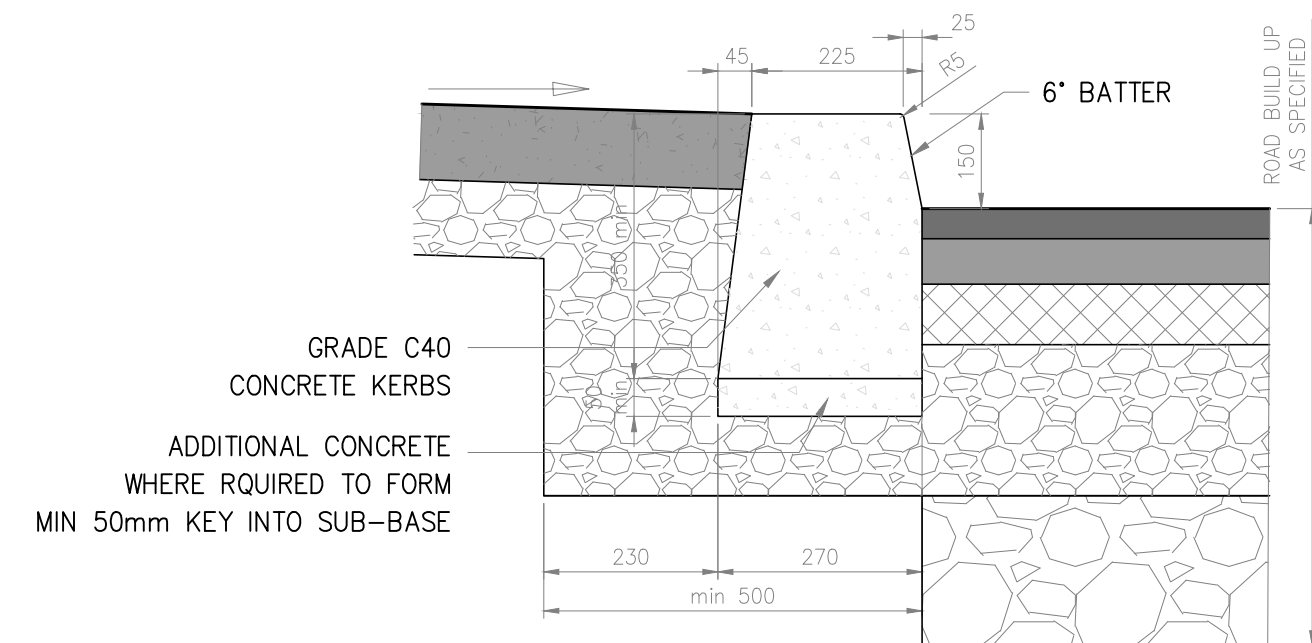


TYPICAL POROUS ASPHALT DETAIL
SCALE: 1:20



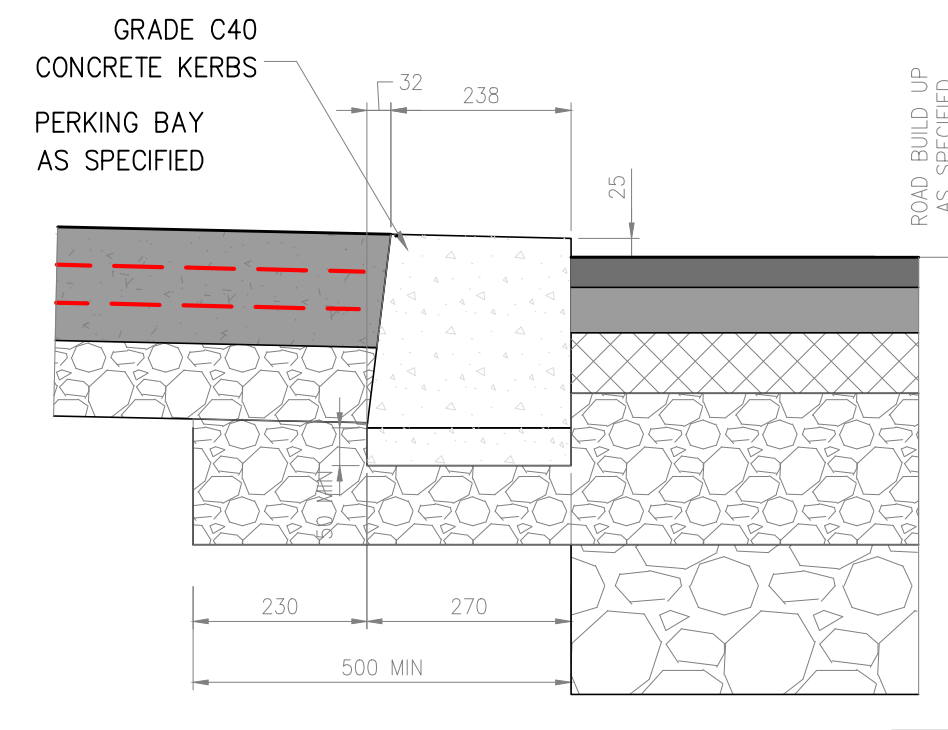
TYPICAL PERMEABLE PAVING DETAIL
SCALE: 1:20

- NOTE:**
1. U3 CONCRETE FINISH
 2. INSITU CONCRETE KERBS SHALL COMPLY WITH THE RECOMMENDATIONS OF BS5931 AND SHALL BE PROTECTED FROM ADVERSE WEATHER UNTIL CURED.
 3. EXPANSION AND CONSTRUCTION JOINTS IN KERB TO MATCH JOINTS IN ROADS AND FOOTWAYS.



CAST IN-SITU CONCRETE KERB WITHOUT CHANNELS

SCALE: 1:10
NOTE: ABOVE DETAIL AT SITE ENTRANCES AND WHERE KERB NOT SPECIFIED BY ARCHITECT. ALTERNATIVE KERB TYPES AT CARRIAGEWAY SHALL BE SUBJECT TO APPROVAL.



CAST IN-SITU CONCRETE KERB AT VEHICLE CROSSOVER

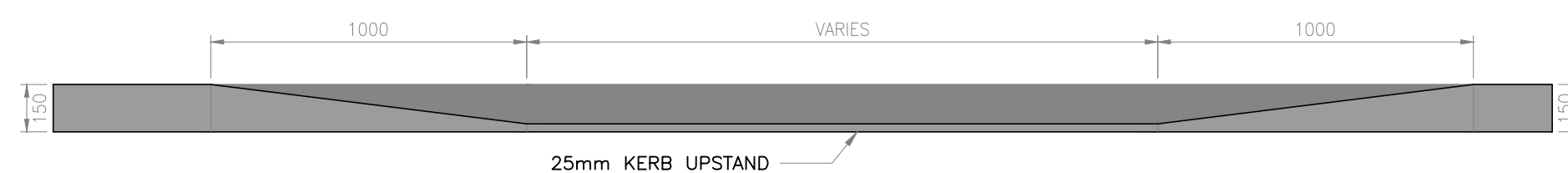
SCALE: 1:10
NOTE: ABOVE DETAIL AT SITE ENTRANCES AND WHERE KERB NOT SPECIFIED BY ARCHITECT. ALTERNATIVE KERB TYPES AT CARRIAGEWAY SHALL BE SUBJECT TO APPROVAL.

TABLE 1	
LAYER	MATERIAL
SURFACE COURSE	STONE MASTIC ASPHALT
BINDER COURSE	DENSE BITUMEN MACADAM
BASE COURSE	DENSE BITUMEN MACADAM
SUB-BASE	TYPE B GRANULAR MATERIAL TO SR 21
CAPPING LAYER	CLASS 6F2 MATERIAL

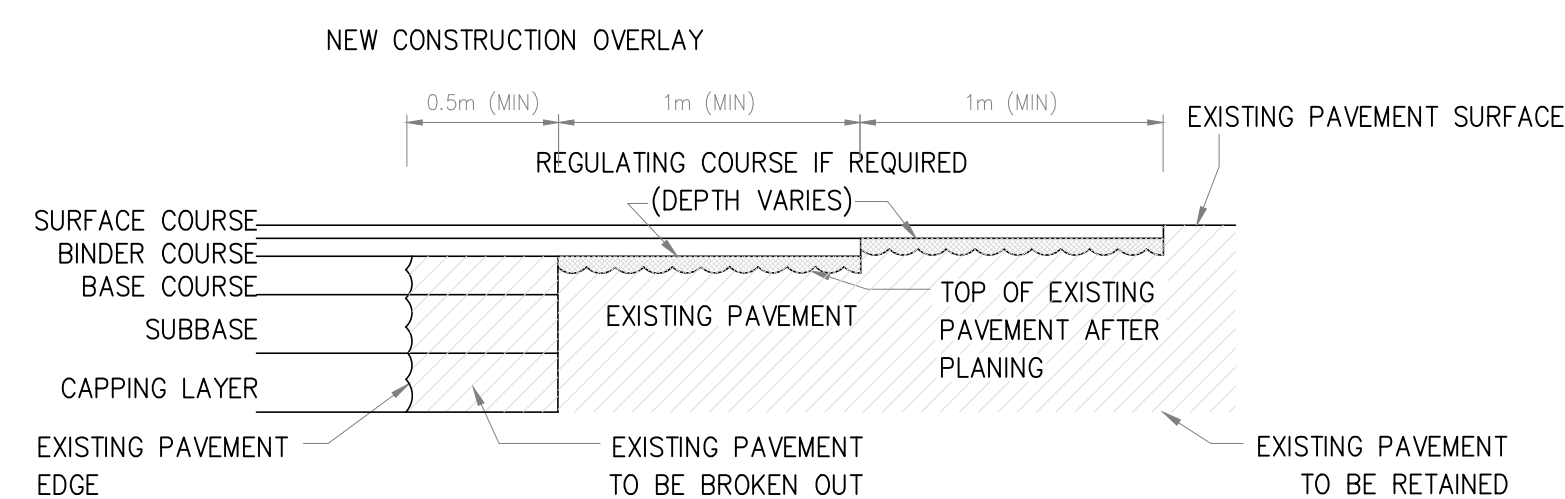
TABLE 2	
CBR (%)	THICKNESS OF CAPPING LAYER (mm)
< 2	600
2-5	300
> 5	0



PLAN VIEW
SCALE: 1:20

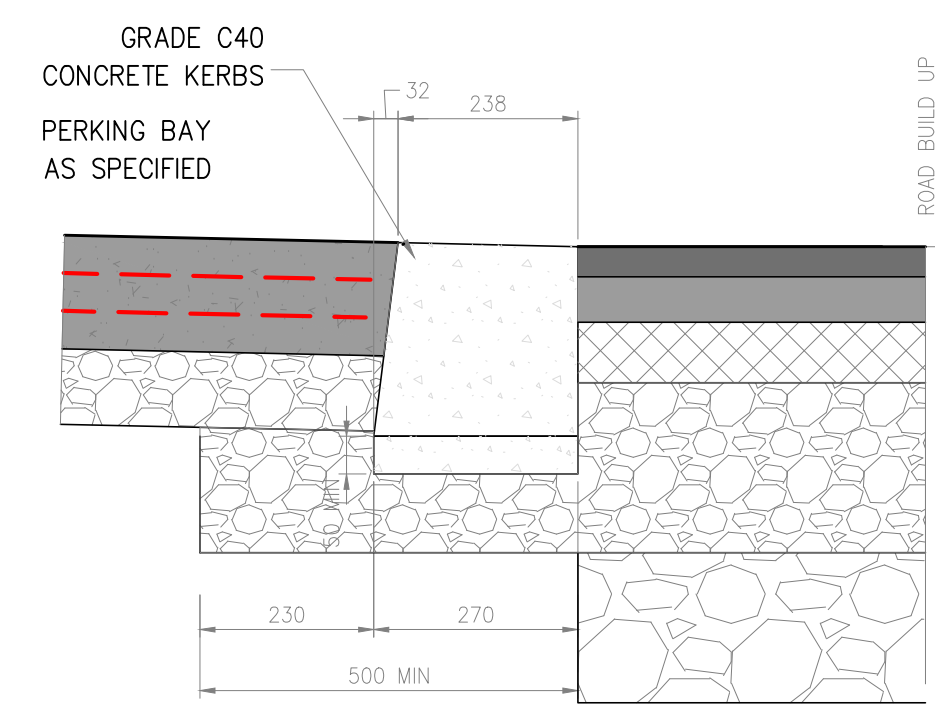


DROP KERB RAMP DETAIL AT DRIVEWAYS AND ROAD CROSSINGS
SCALE: 1:20



TRANSVERSE JOINT BETWEEN NEW CONSTRUCTION AND EXISTING ROAD

SCALE: 1:10
NOTE: ALTERNATIVE KERB TYPES AT CARRIAGEWAY SHALL BE SUBJECT TO APPROVAL.



CAST IN-SITU CONCRETE KERB AT VEHICLE CROSSOVER IN SHARED SURFACE AREAS

SCALE: 1:10
NOTE: ABOVE DETAIL AT SITE ENTRANCES AND WHERE KERB NOT SPECIFIED BY ARCHITECT. ALTERNATIVE KERB TYPES AT CARRIAGEWAY SHALL BE SUBJECT TO APPROVAL. ROAD TO BE DISHED LOCALLY AT GULLIES.

REV	DATE	DESCRIPTION	DWG BY	APP. BY
P	12.08.24	ISSUED FOR PLANNING	PN	LM
ISSUED				
PLANNING				
CLIENT DUN LAOGHAIRE COUNTY COUNCIL				
PROJECT NAME RESIDENTIAL HOUSING DEVELOPMENT AT BLACKGLEN ROAD				
DRAWING NAME PROPOSED ROAD DETAILS				
PROJECT No. 23D059				
DRAWING No. 06		REVISION P		
SCALE AS SHOWN		DRAWN DATE 27.03.24		
CAD DRAWN BY R.O.C.	CHECKED BY L.M.	APPROVED BY D.H.		

Hayes Higgins Partnership
The Glass House, 11 Coke Lane
Smithfield, Dublin 7. Tel: 01 6612321
E-mail: admin@hayeshiggins.ie
Gas House Lane, Kilkenny. Tel: (056) 7764710
Email: info@hhp.ie