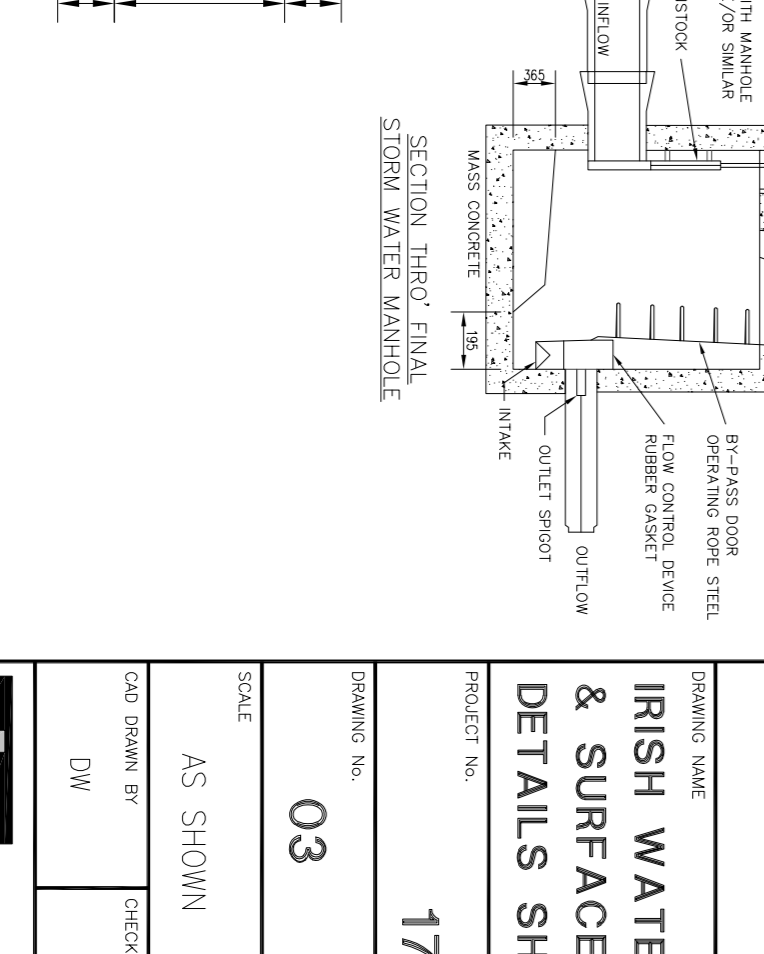
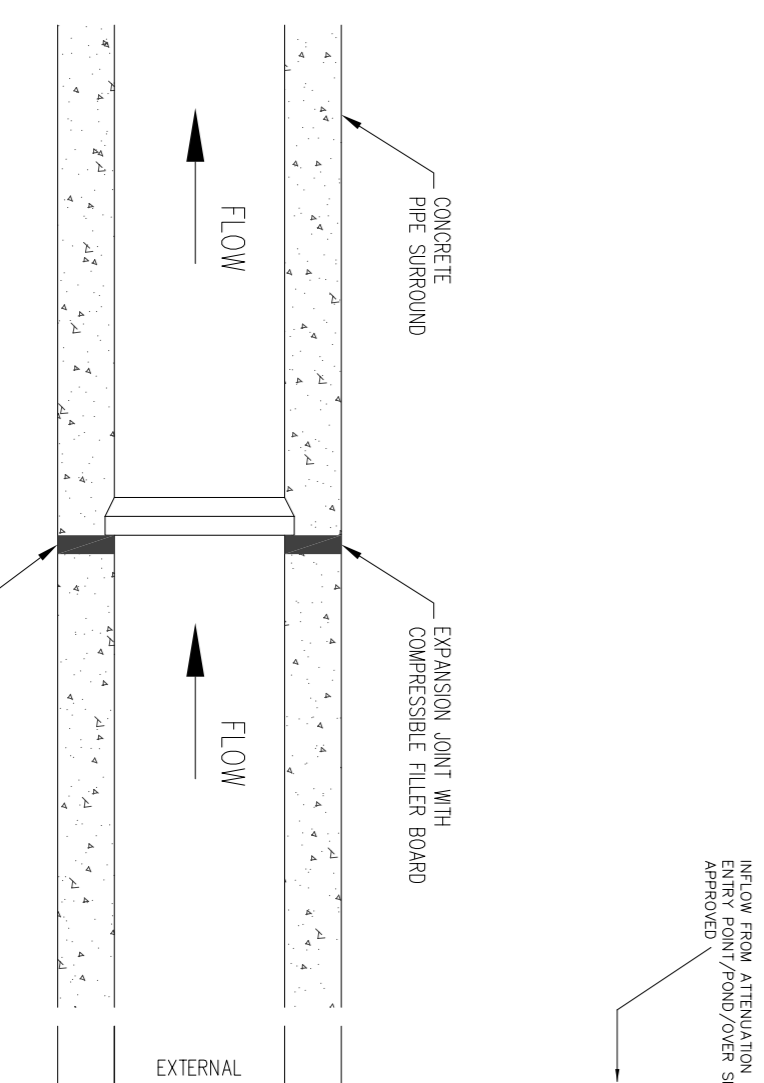
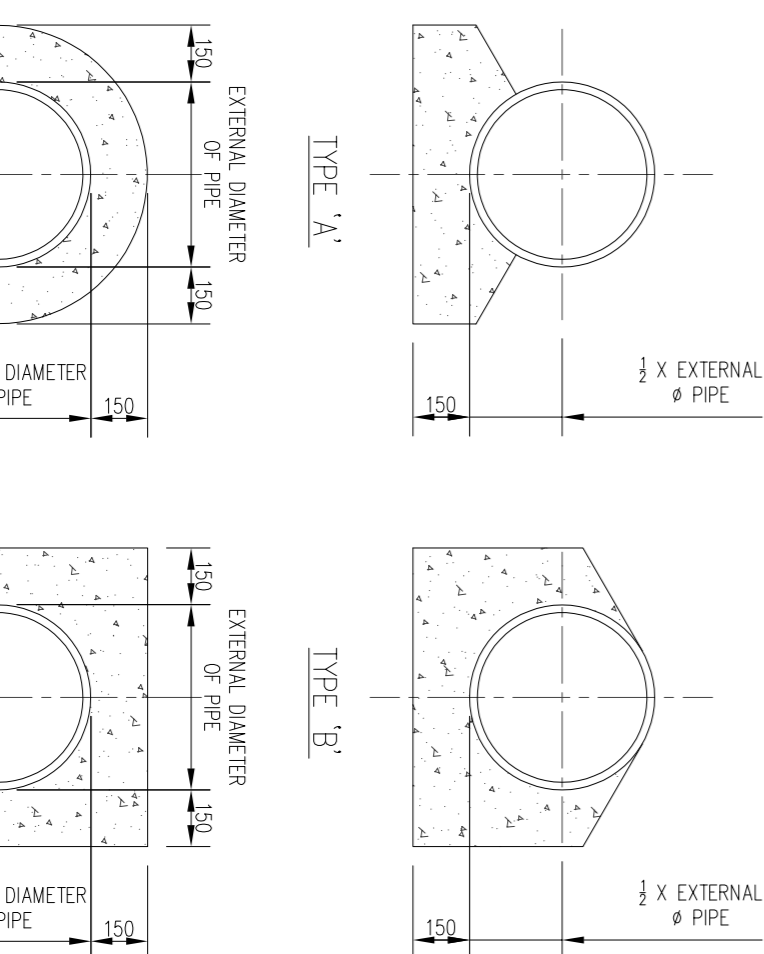
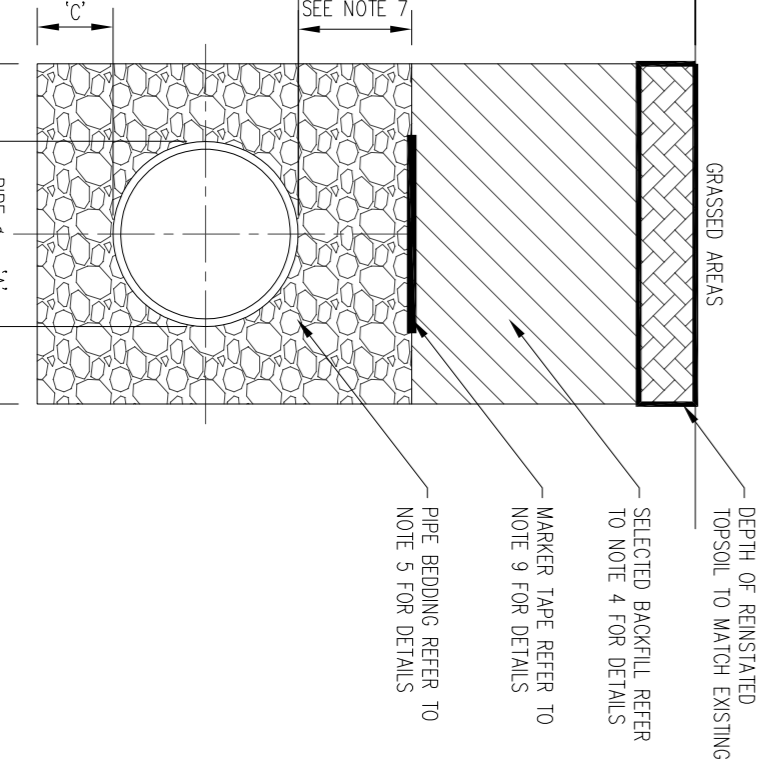
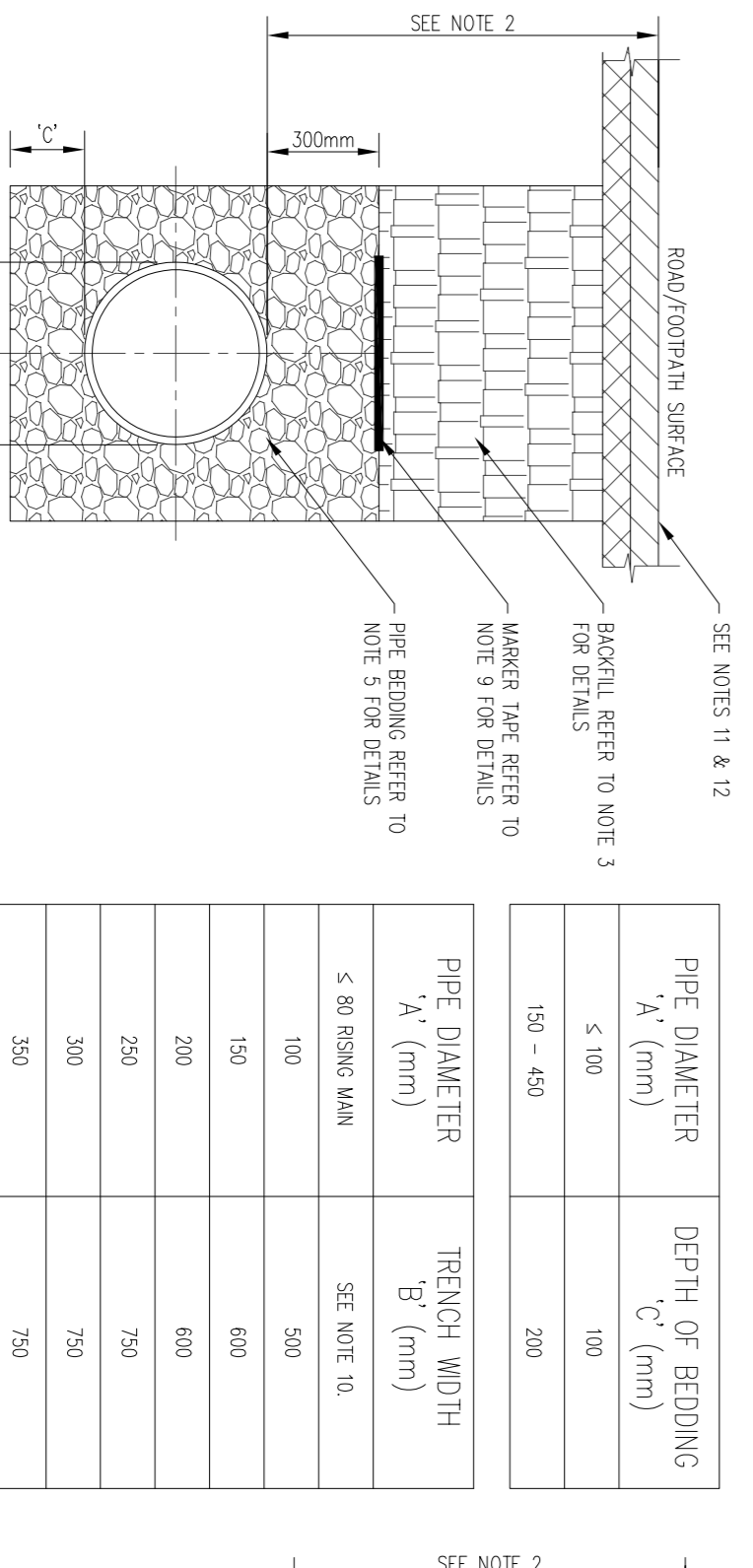
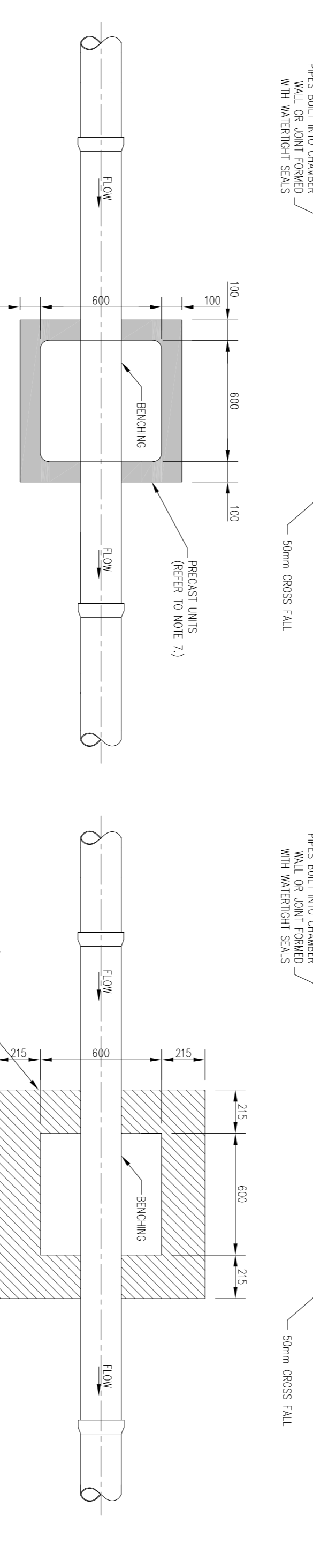
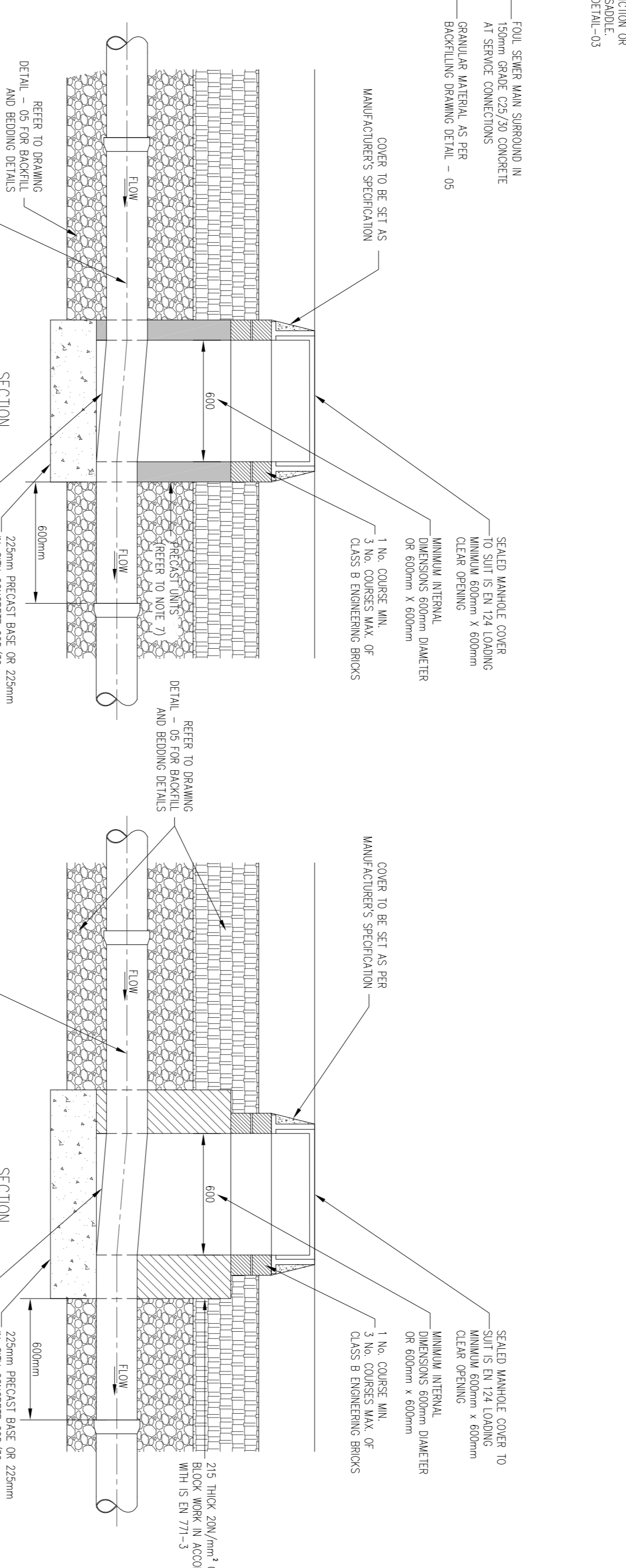
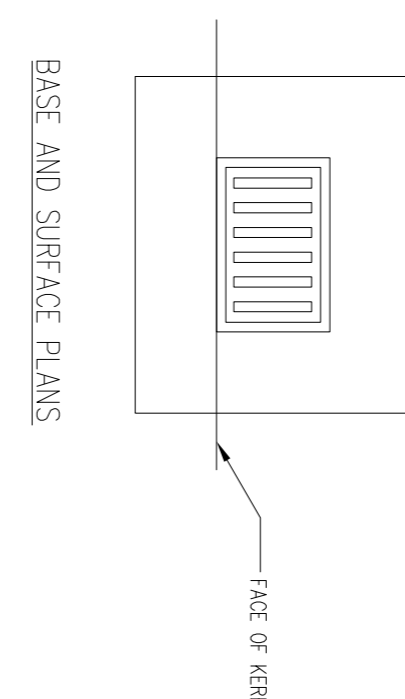
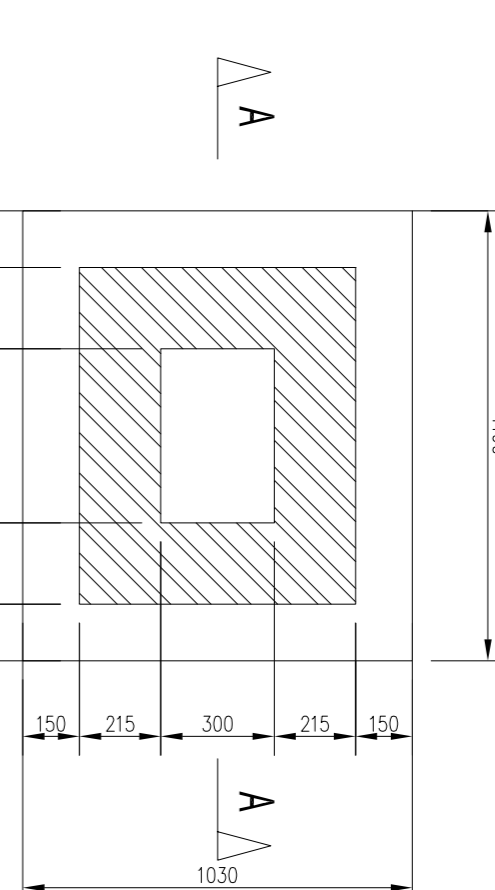
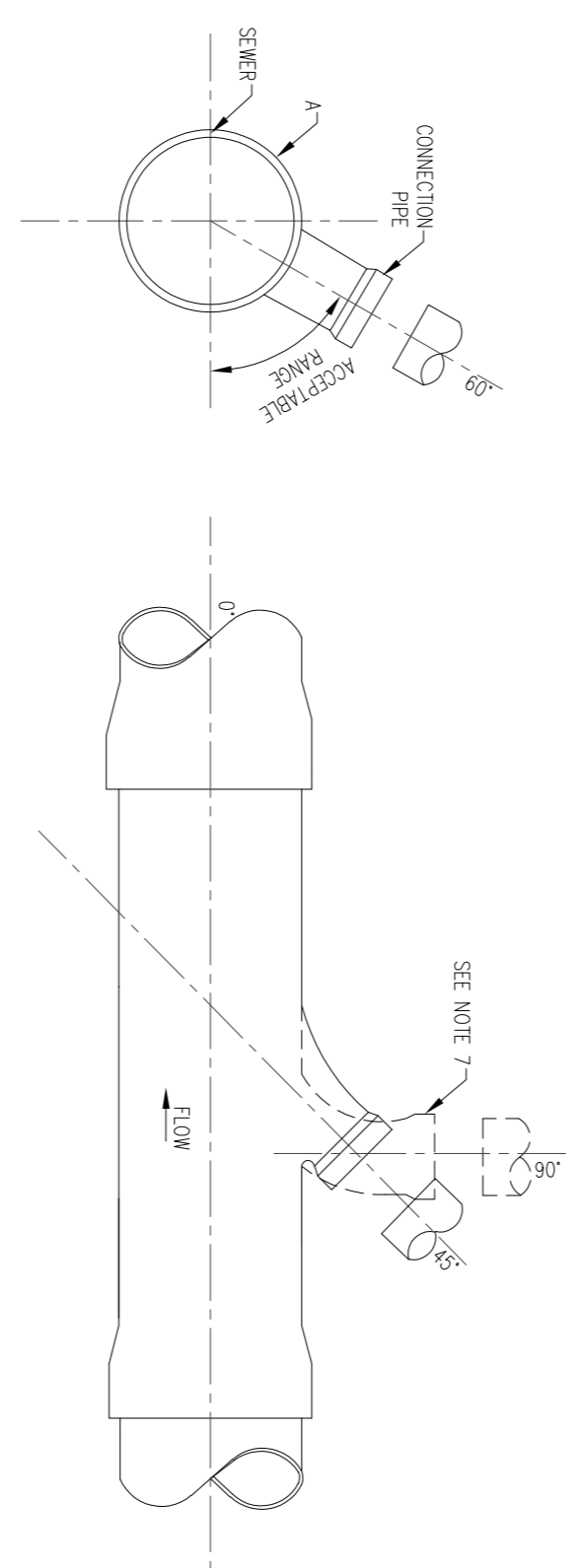
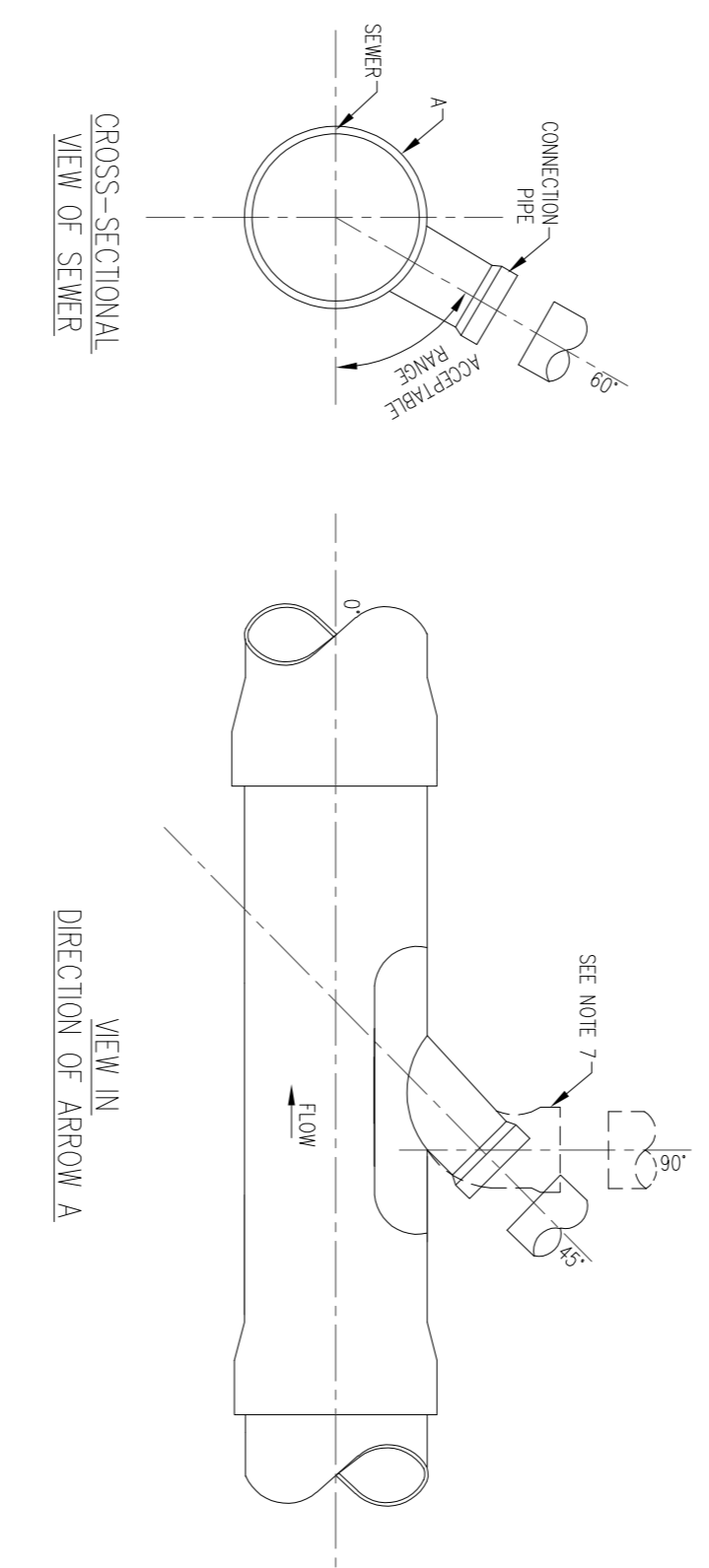
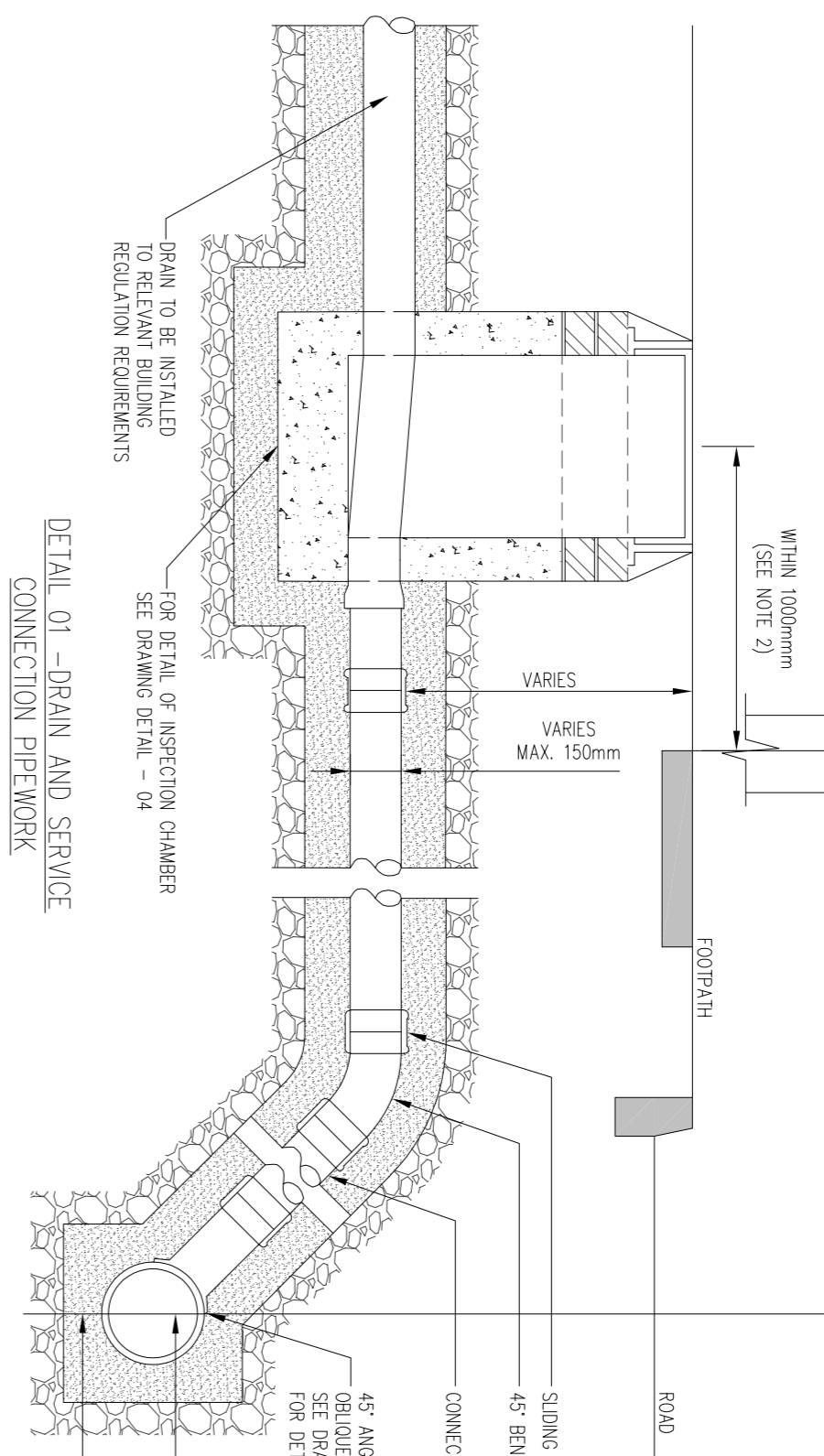
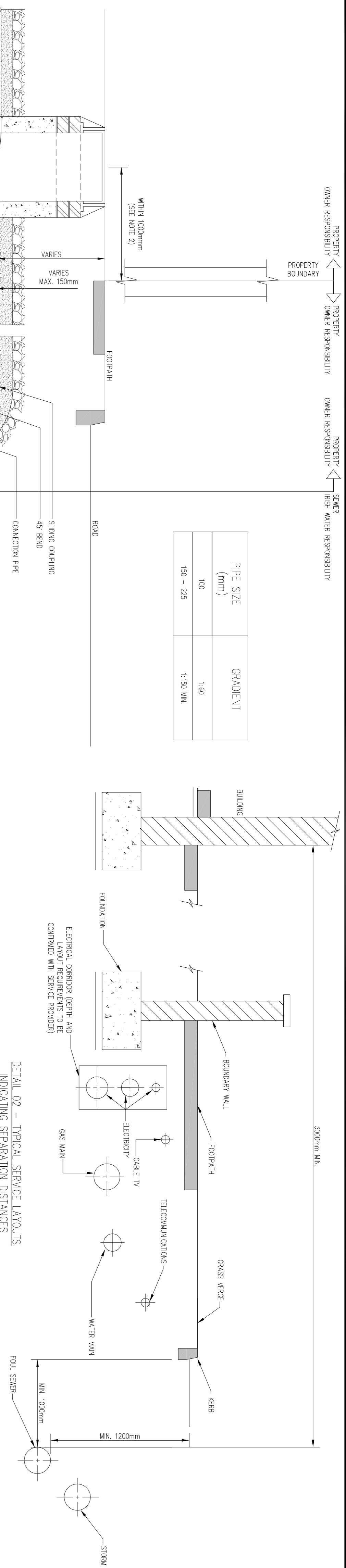


PIPE SIZE (mm)	GRADIENT
100	1:60
150 - 225	1:150 MIN.



- ### NOTES
- GENERAL
 - 1) THESE DRAWINGS TO BE READ IN CONJUNCTION WITH ALL RELEVANT HAYES HIGGINS ENGINEERING DRAWINGS AND SPECIFICATIONS.
 - 2) DO NOT SCALE. USE FIGURED DIMENSIONS ONLY.
 - 3) FOUL WATER/WASTE WATER TO CURRENT FRESH WATER SPECIFICATION AND DETAILS (FW-CDS-5030-011).

HAYES HIGGINS PARTNERSHIP

The Glass House, 11 Coke Lane
 Smithfield, Dublin 7. Tel: 01 6612321
 E-mail: admin@hayeshiggins.ie
 Old House Lane, Kildenny, Tel: (056) 7764710
 Email: info@hh.ie

IRISH WATER FOUL & SURFACE DRAINAGE DETAILS SHEET 1 OF 4

PROJECT NAME: APARTMENTS AT ST LAURENCE'S PARK

CLIENT: DUN LAOGHAIRE - RATHDOWN COUNTY COUNCIL

ISSUED FOR PLANNING

NO.	DATE	DESCRIPTION	BY	CHK
1	07.12.20	ISSUED FOR PLANNING	DM	LM
2			DM	LM

SCALE: AS SHOWN

DATE: 01.05.2020

PROJECT NO: 17D102

REVISION: P

DESIGNED BY	CHECKED BY	APPROVED BY
DW	LM	DH