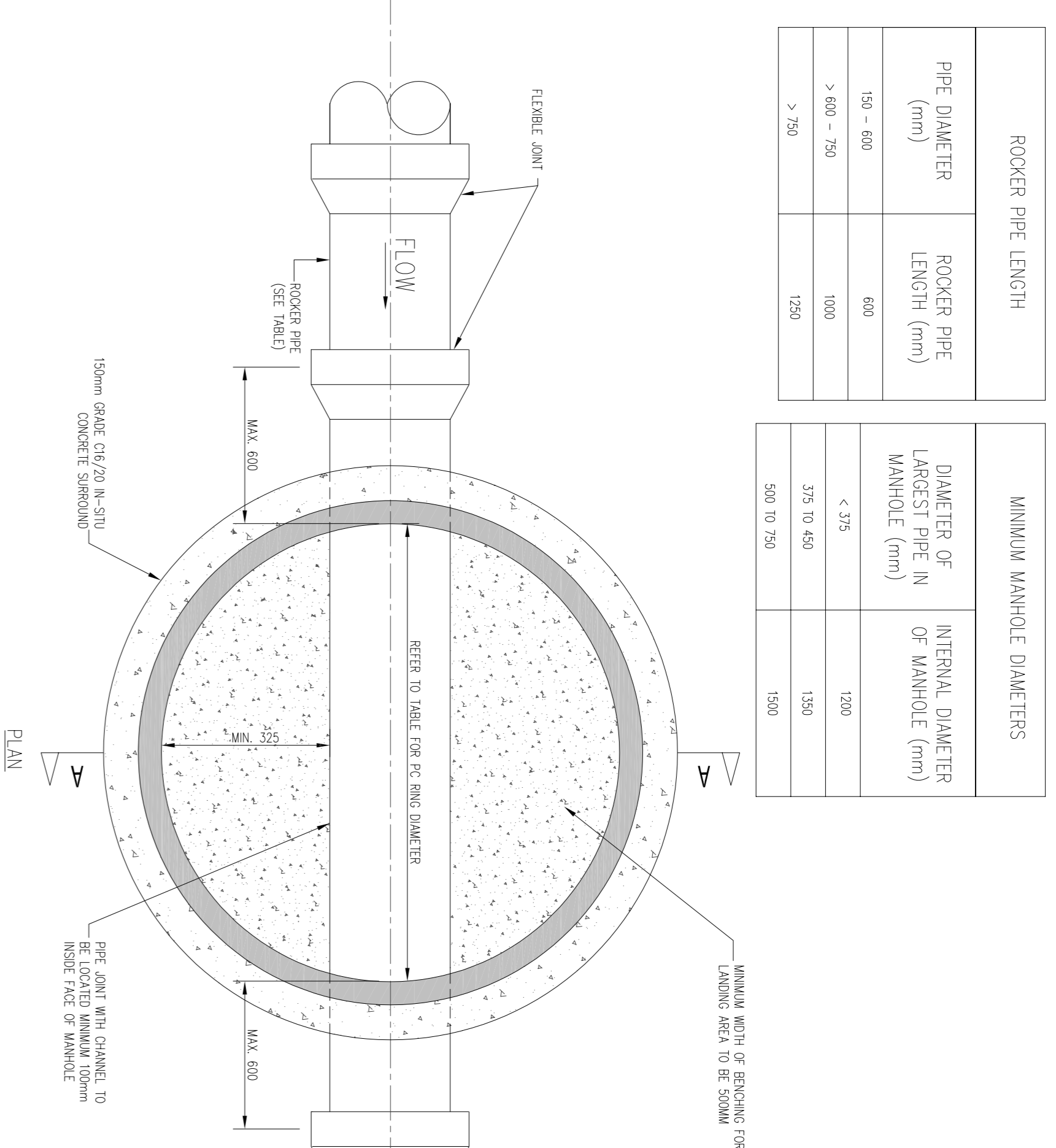
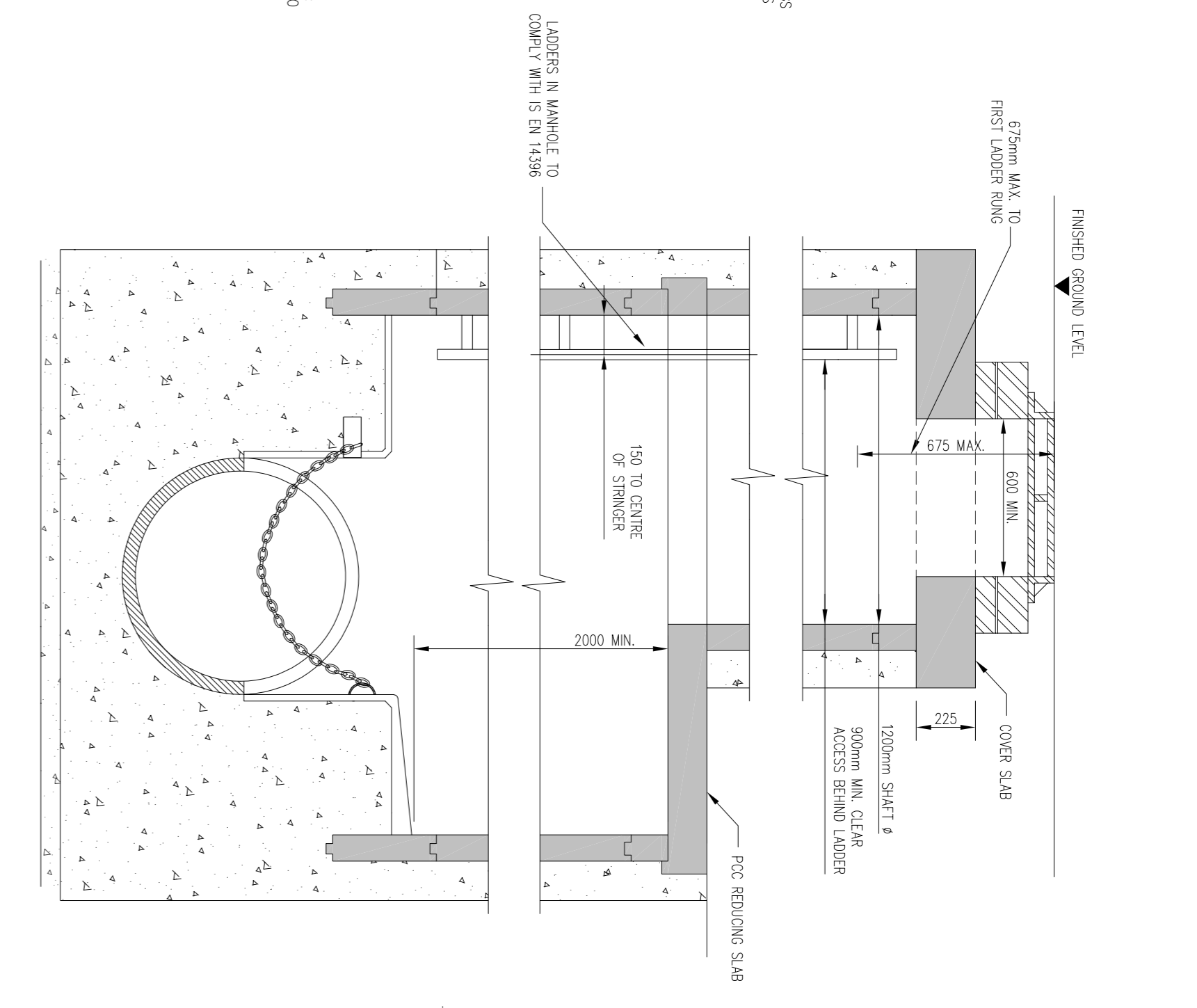
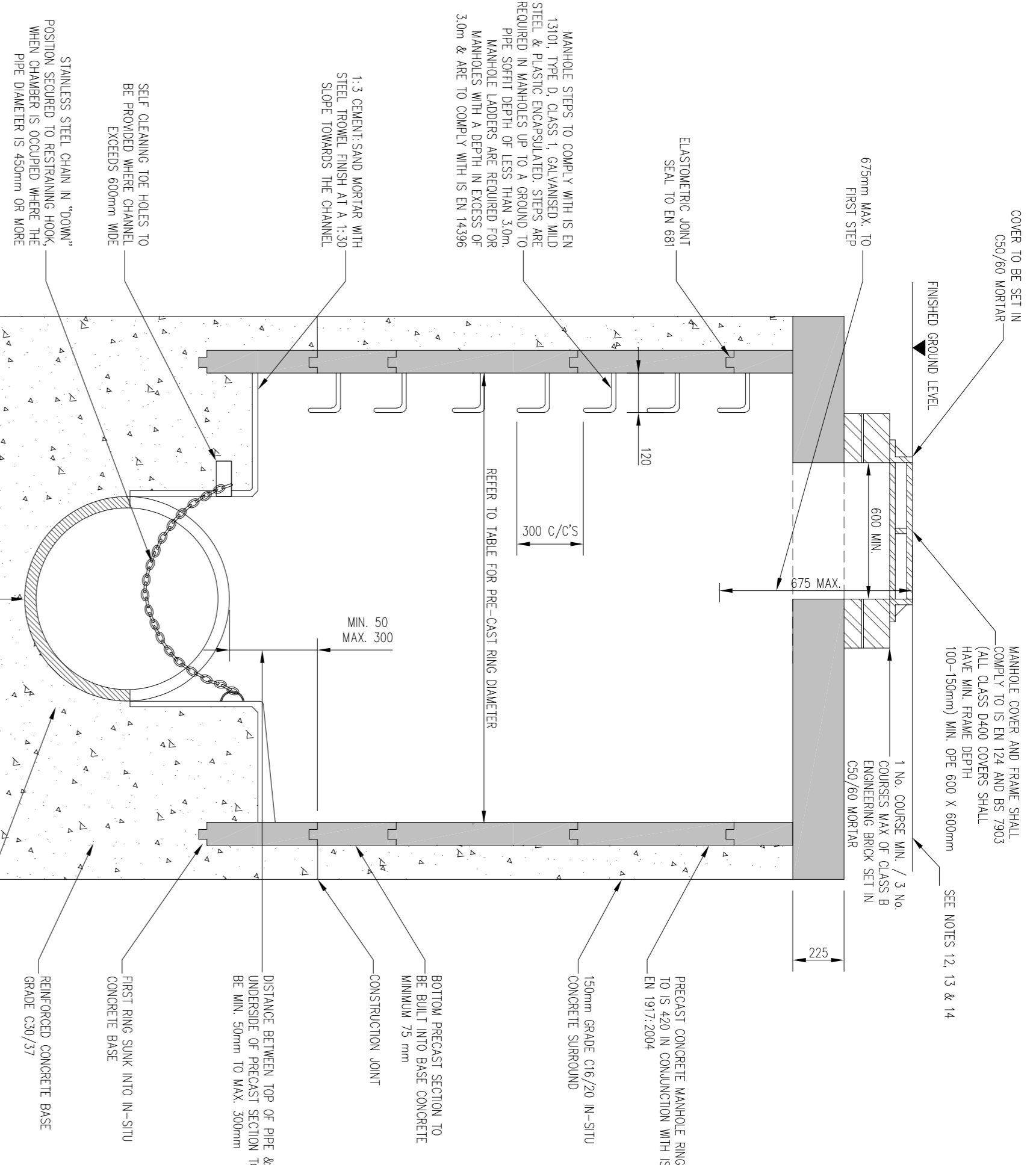


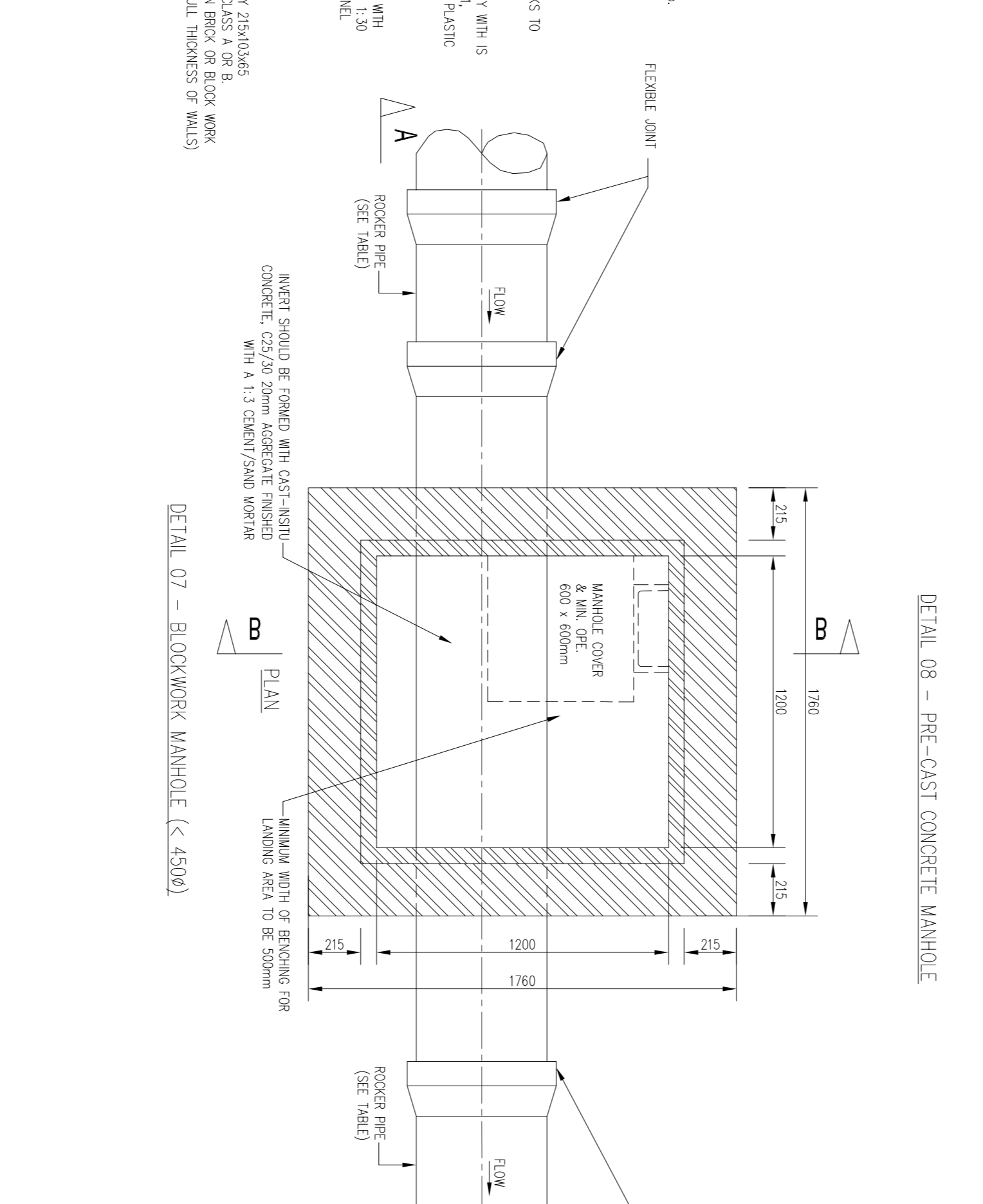
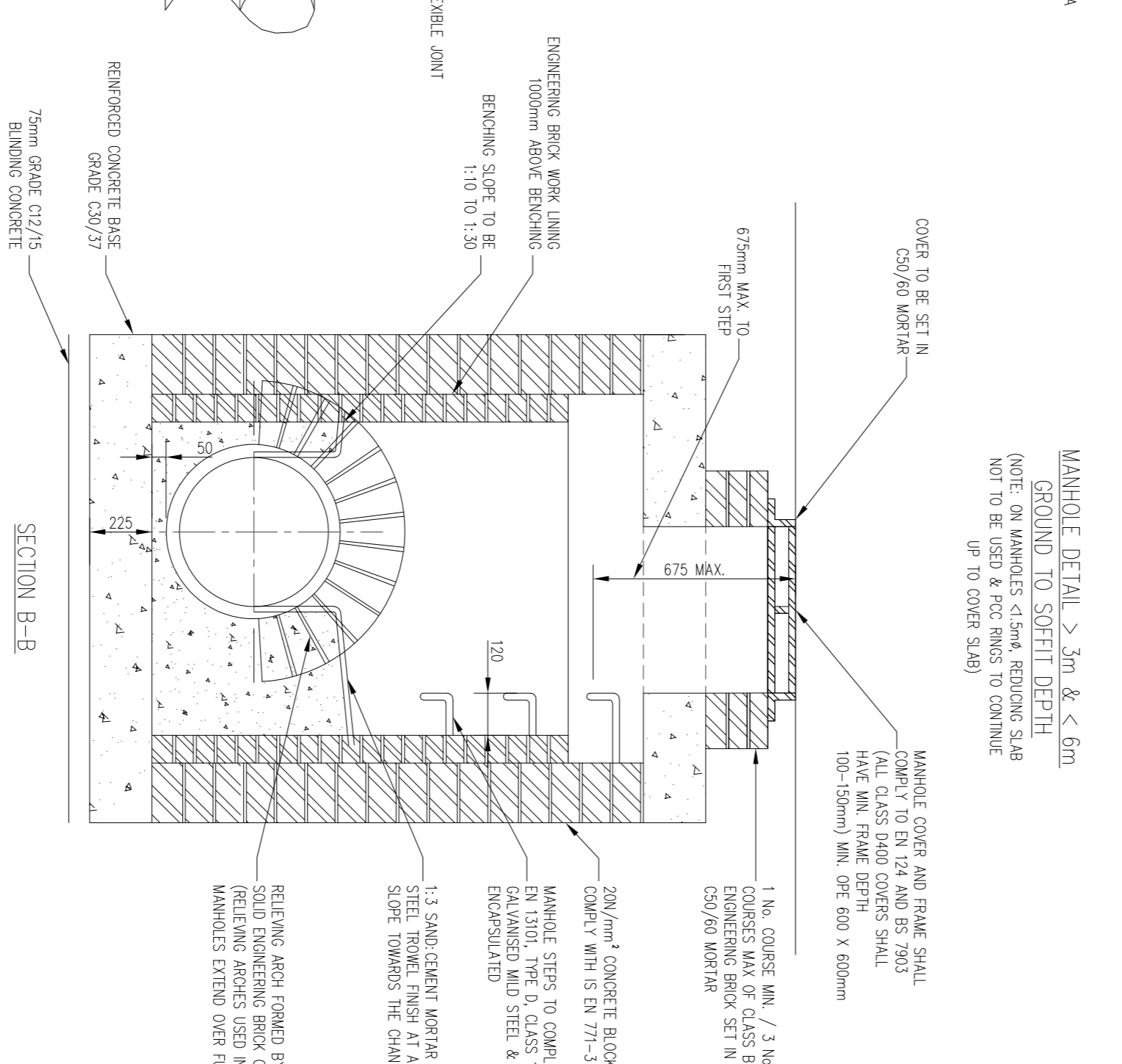
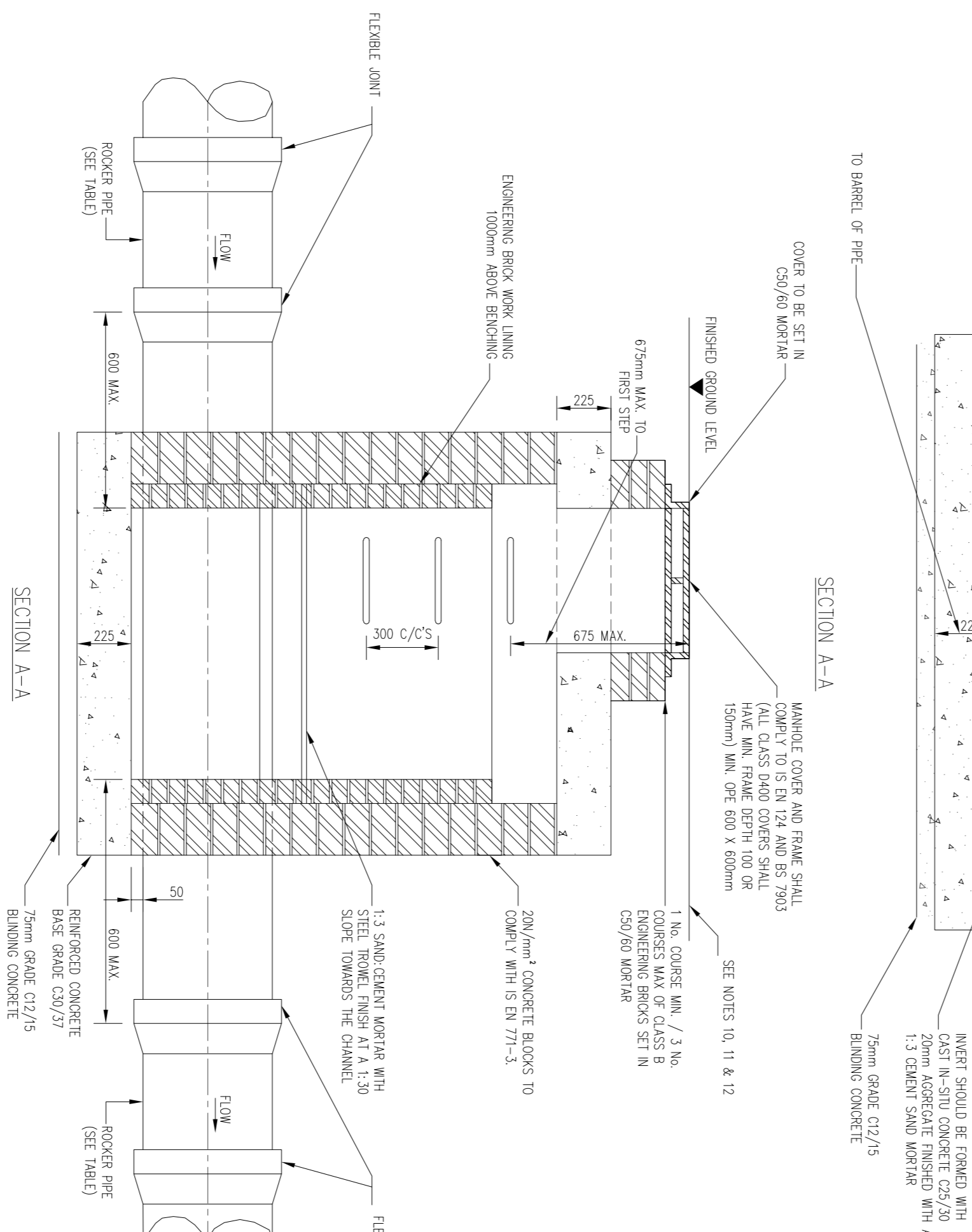
## NOTES

- GENERAL
- 1) THESE DRAWINGS TO BE READ IN CONJUNCTION WITH ALL RELEVANT HAYES HIGGINS ENGINEERING DRAWINGS AND SPECIFICATIONS.
  - 2) DO NOT SCALE. USE FIGURED DIMENSIONS ONLY.
  - 3) FOUl WATER/WASTE WATER TO CURRENT FRESH WATER SPECIFICATION AND DETAILS (W-CDS-5030-01)

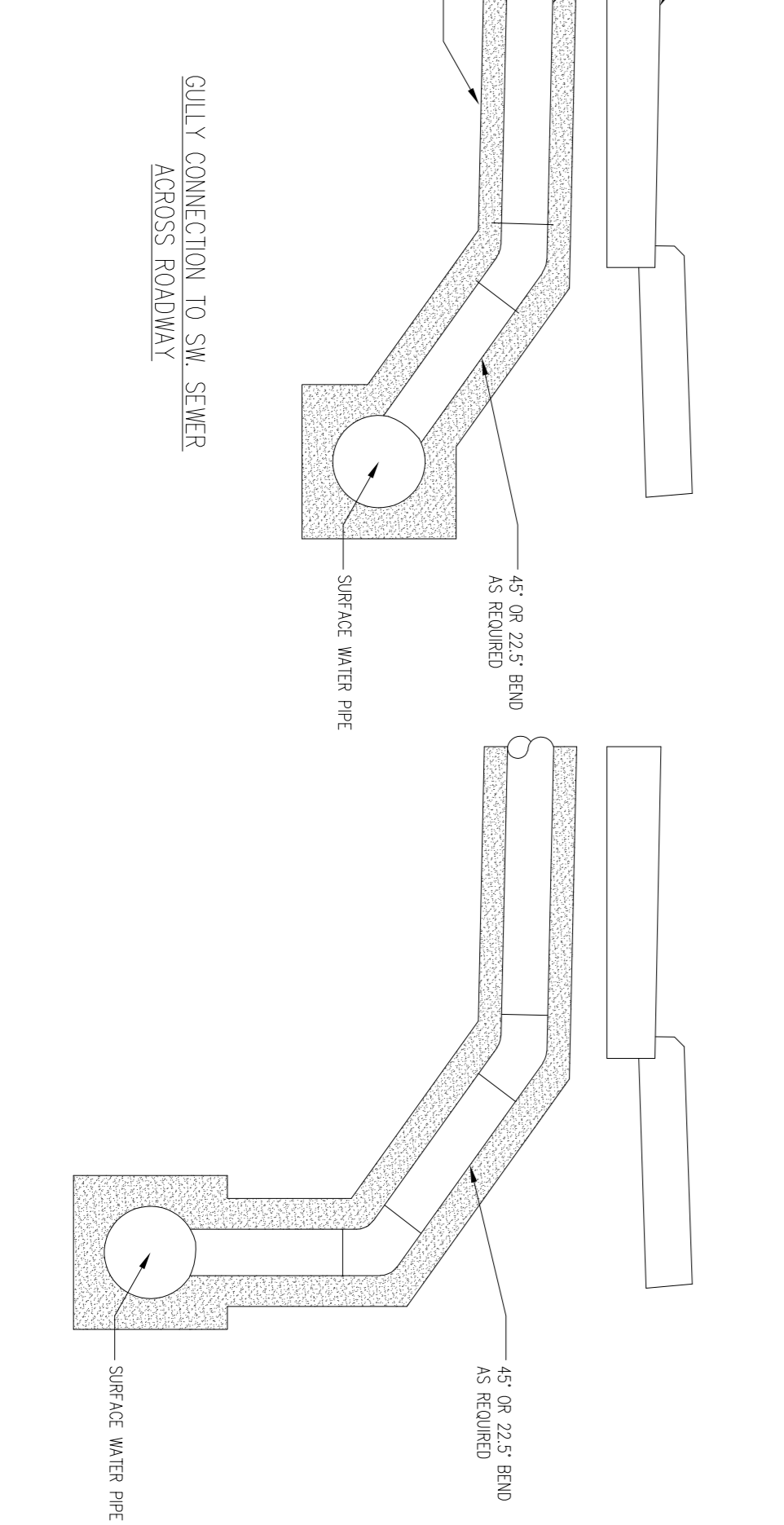
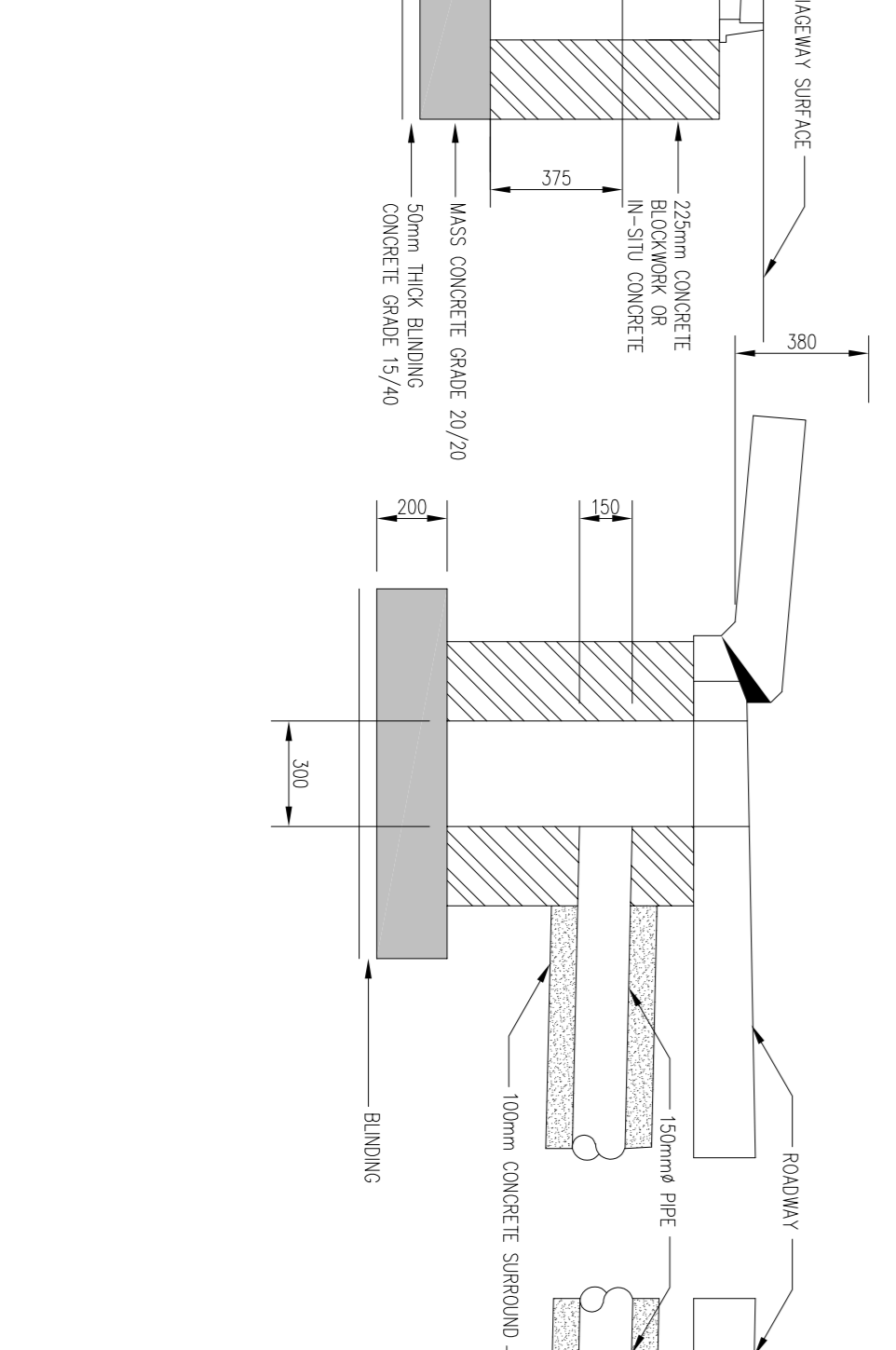
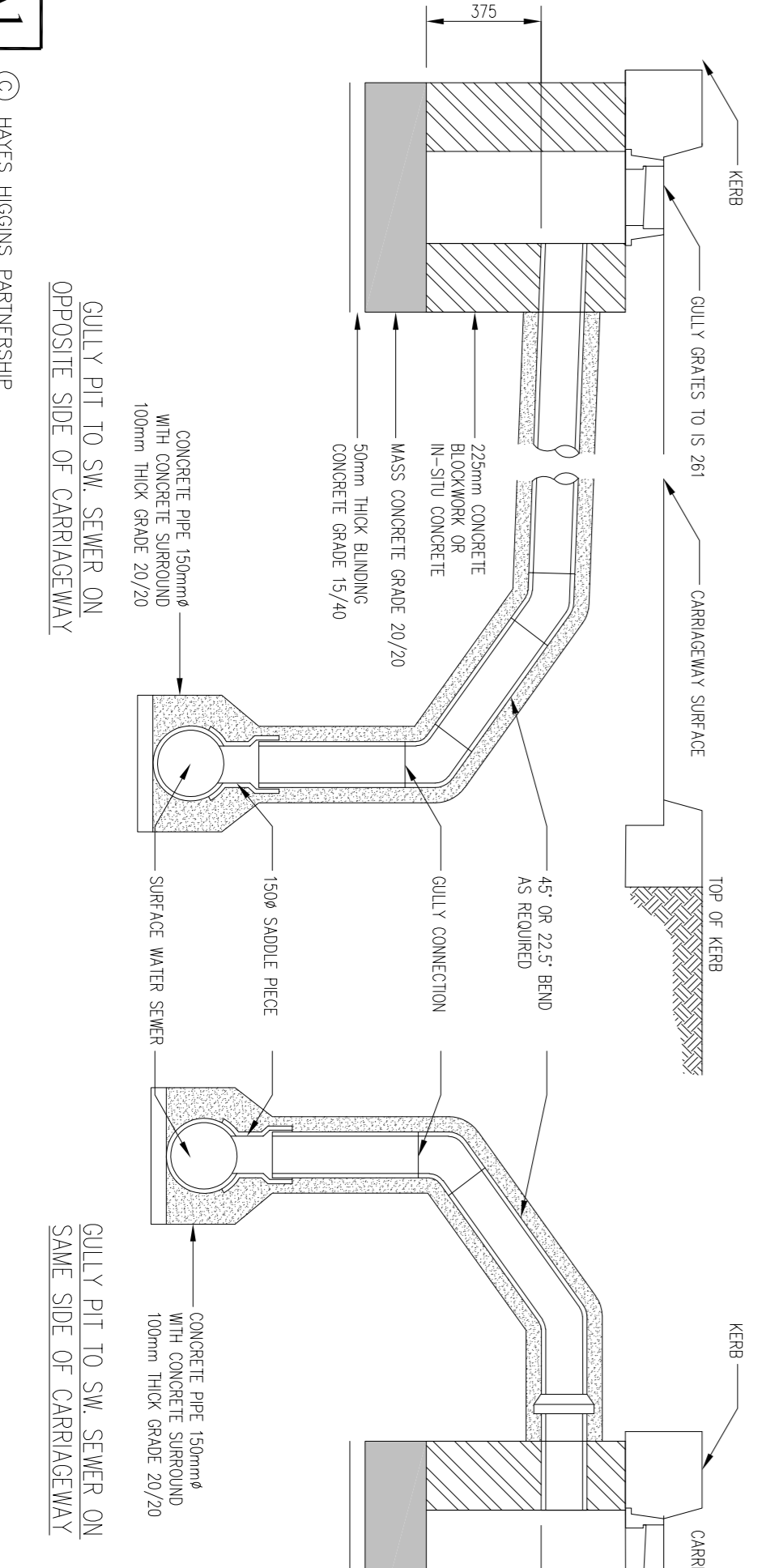
| PIPE DIAMETER (mm) | ROCKER PIPE LENGTH (mm) | MINIMUM MANHOLE DIAMETERS | DIAMETER OF LARGEST PIPE IN MANHOLE (mm) | INTERNAL DIAMETER OF MANHOLE (mm) |
|--------------------|-------------------------|---------------------------|--|-----------------------------------|
| 150 - 600          | 600                     | < 375                     | < 375                                    | 1200                              |
| > 600 - 750        | 1000                    | 375 TO 450                | 375 TO 450                               | 1300                              |
| > 750              | 1250                    | 500 TO 750                | 500 TO 750                               | 1500                              |



| PIPE DIAMETER (mm) | ROCKER PIPE LENGTH (mm) | MINIMUM MANHOLE DIAMETERS | DIAMETER OF LARGEST PIPE IN MANHOLE (mm) | INTERNAL DIAMETER OF MANHOLE (mm) |
|--------------------|-------------------------|---------------------------|--|-----------------------------------|
| 150 - 600          | 600                     | < 375                     | < 375                                    | 1200                              |
| > 600 - 750        | 1000                    | 375 TO 450                | 375 TO 450                               | 1300                              |
| > 750              | 1250                    | 500 TO 750                | 500 TO 750                               | 1500                              |



| PIPE DIAMETER (mm) | ROCKER PIPE LENGTH (mm) | MINIMUM MANHOLE DIAMETERS | DIAMETER OF LARGEST PIPE IN MANHOLE (mm) | INTERNAL DIAMETER OF MANHOLE (mm) |
|--------------------|-------------------------|---------------------------|--|-----------------------------------|
| 150 - 600          | 600                     | < 375                     | < 375                                    | 1200                              |
| > 600 - 750        | 1000                    | 375 TO 450                | 375 TO 450                               | 1300                              |
| > 750              | 1250                    | 500 TO 750                | 500 TO 750                               | 1500                              |



| PIPE DIAMETER (mm) | ROCKER PIPE LENGTH (mm) | MINIMUM MANHOLE DIAMETERS | DIAMETER OF LARGEST PIPE IN MANHOLE (mm) | INTERNAL DIAMETER OF MANHOLE (mm) |
|--------------------|-------------------------|---------------------------|--|-----------------------------------|
| 150 - 600          | 600                     | < 375                     | < 375                                    | 1200                              |
| > 600 - 750        | 1000                    | 375 TO 450                | 375 TO 450                               | 1300                              |
| > 750              | 1250                    | 500 TO 750                | 500 TO 750                               | 1500                              |

**HAYES HIGGINS PARTNERSHIP**  
 The Glass House, 11 Coke Lane  
 Smithfield, Dublin 7. Tel: 01 6612321  
 E-mail: admin@hayeshiggins.ie  
 Our House Lane, Kildenny, Tel: (056) 7764710  
 Email: info@hh.ie

|              |                                  |
|--------------|----------------------------------|
| PROJECT NAME | APARTMENTS AT ST LAURENCE'S PARK |
| DRAWING NO.  | 03                               |
| REVISION     | P                                |
| SCALE        | AS SHOWN                         |
| ISSUED BY    | DW                               |
| CHECKED BY   | LMI                              |
| ISSUE DATE   | 01.05.2020                       |
| APPROVED BY  | DH                               |

CLIENT: DUN LAOGHAIRE - RATHDOWN COUNTY COUNCIL

ISSUED FOR PLANNING

DATE: 01.05.2020

DESCRIPTION: DWG 03 OF 04