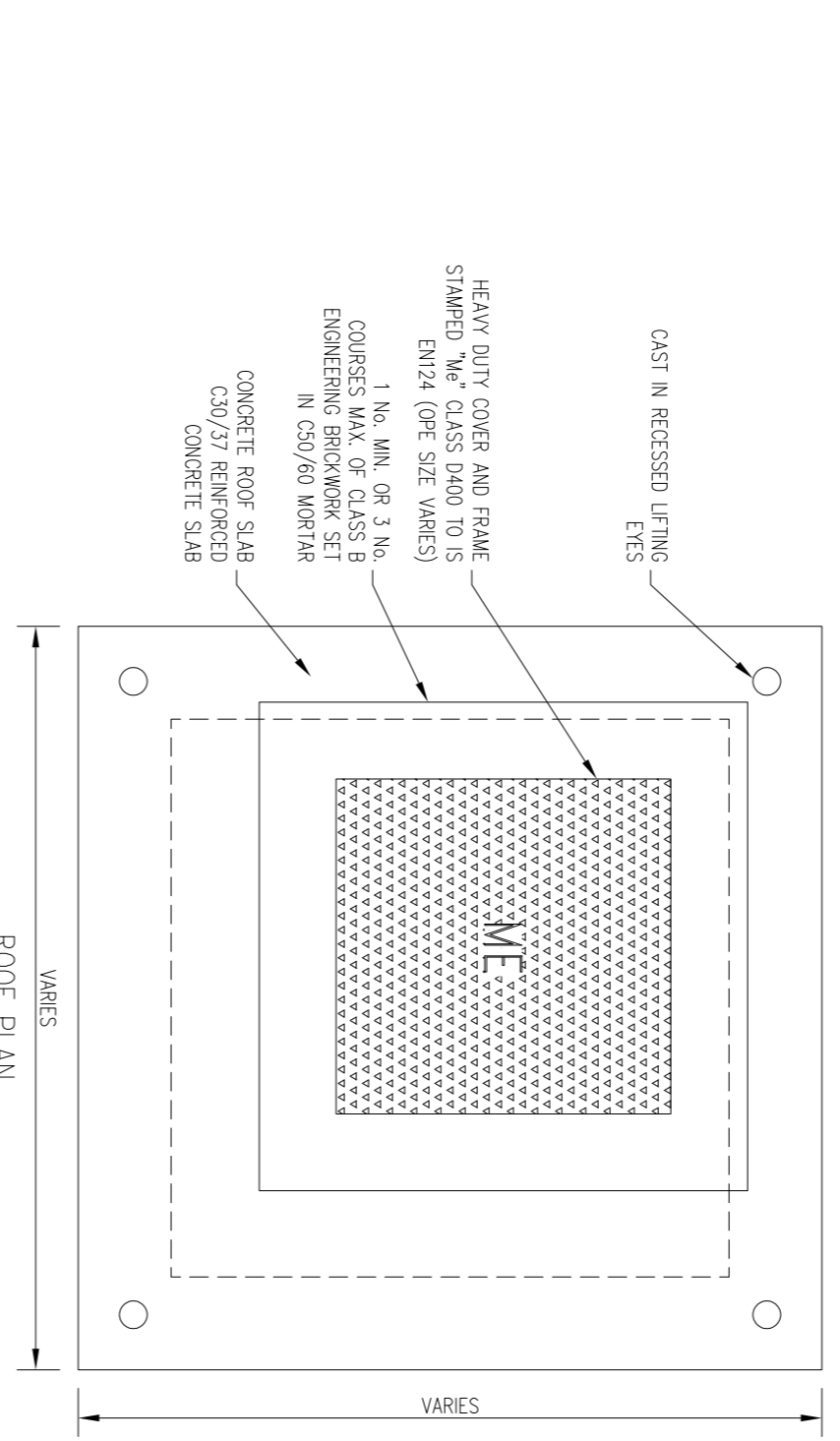
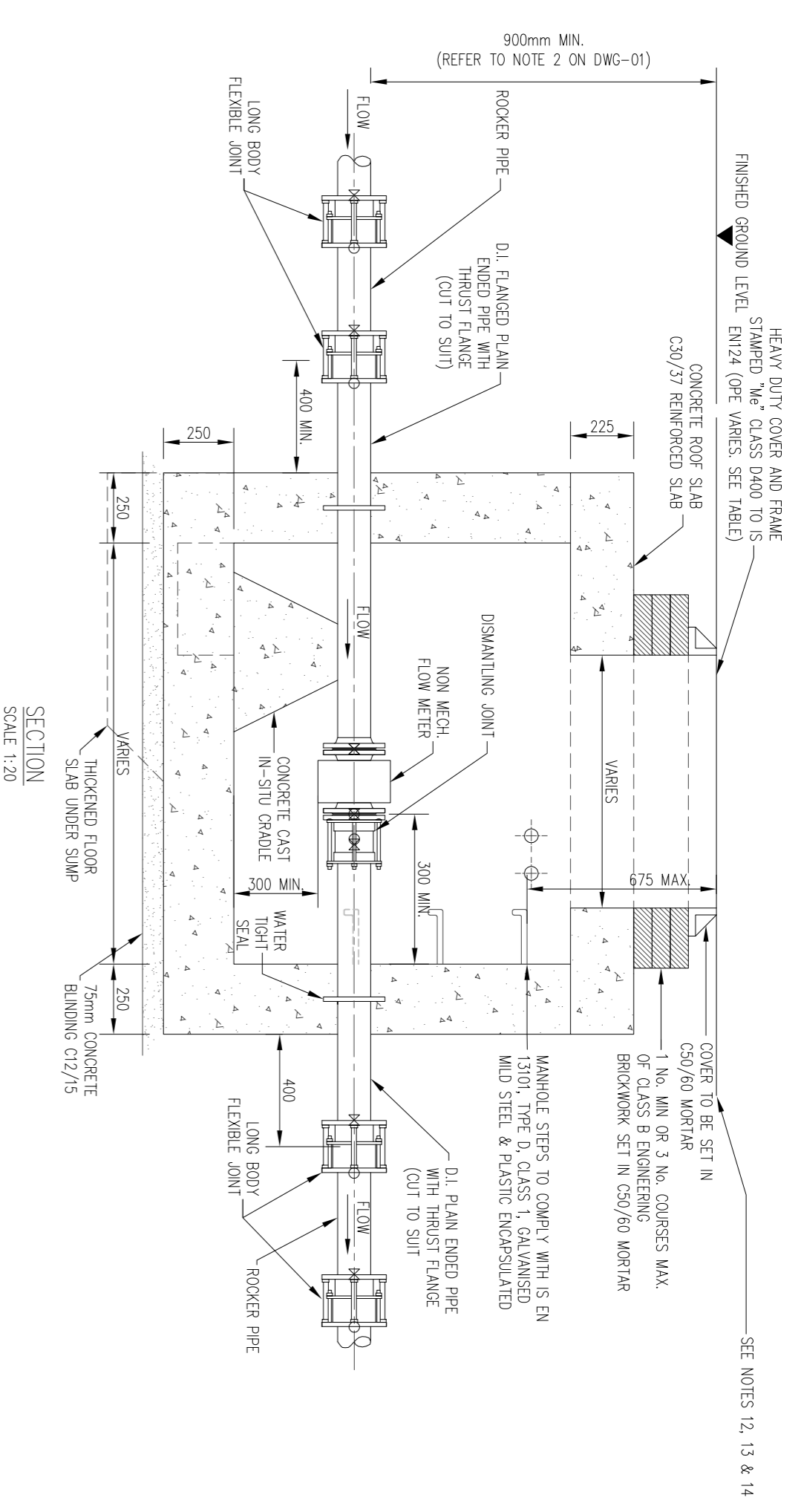
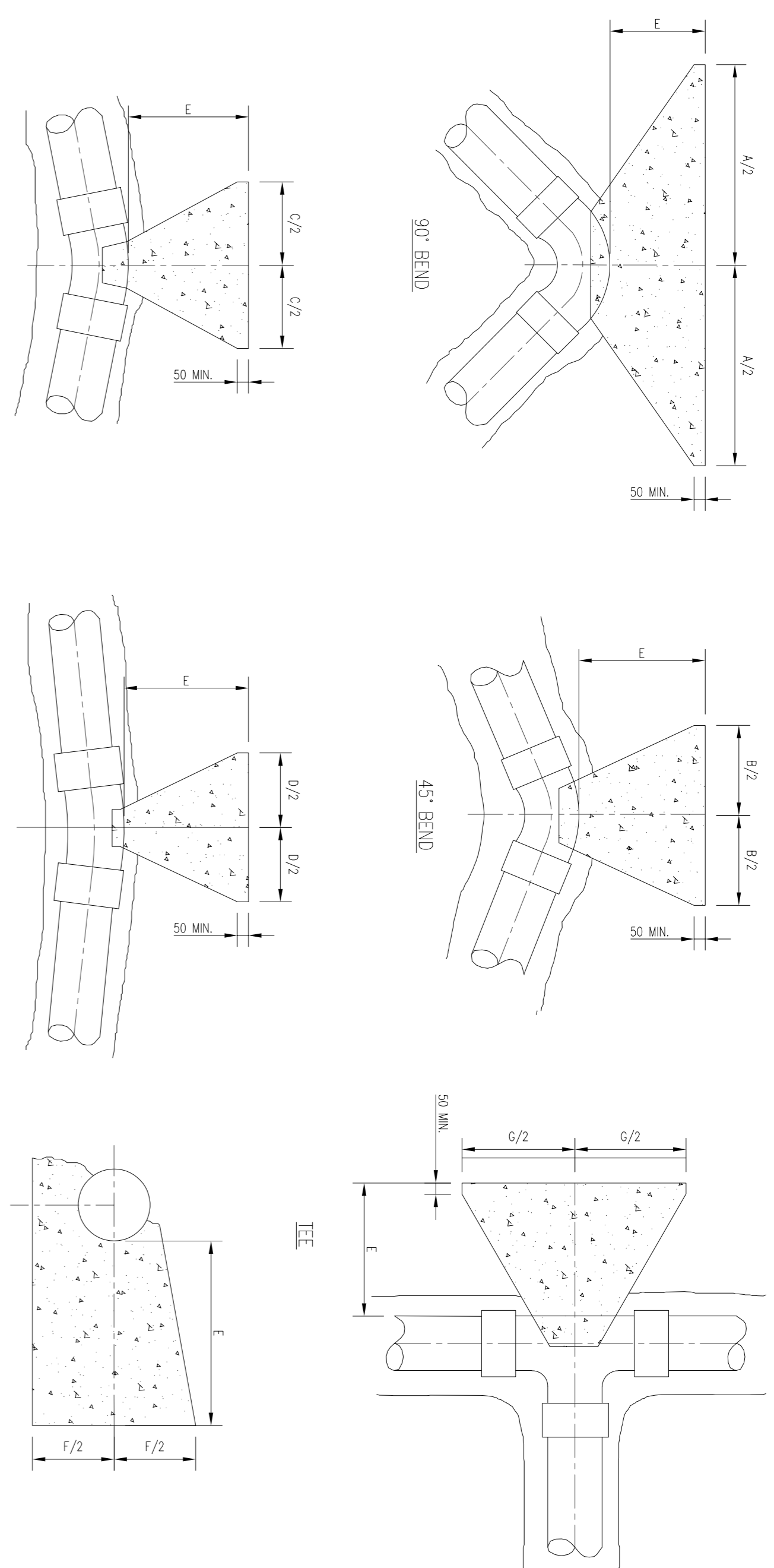
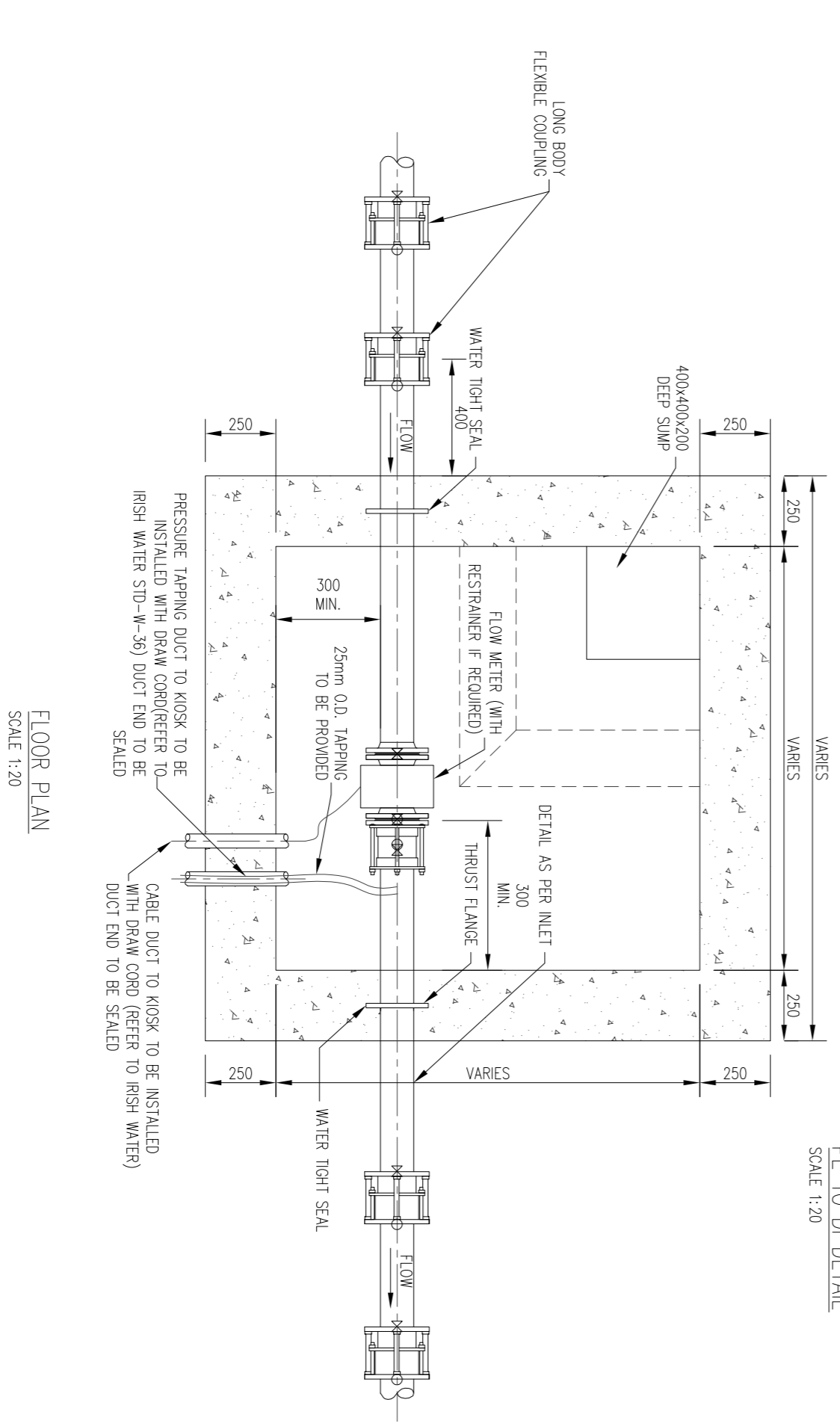


NOTES

- GENERAL
- THESE DRAWINGS TO BE READ IN CONJUNCTION WITH ALL RELEVANT HAYES HIGGINS ENGINEERING DRAWINGS AND SPECIFICATIONS.
 - DO NOT SCALE. USE FIGURED DIMENSIONS ONLY.

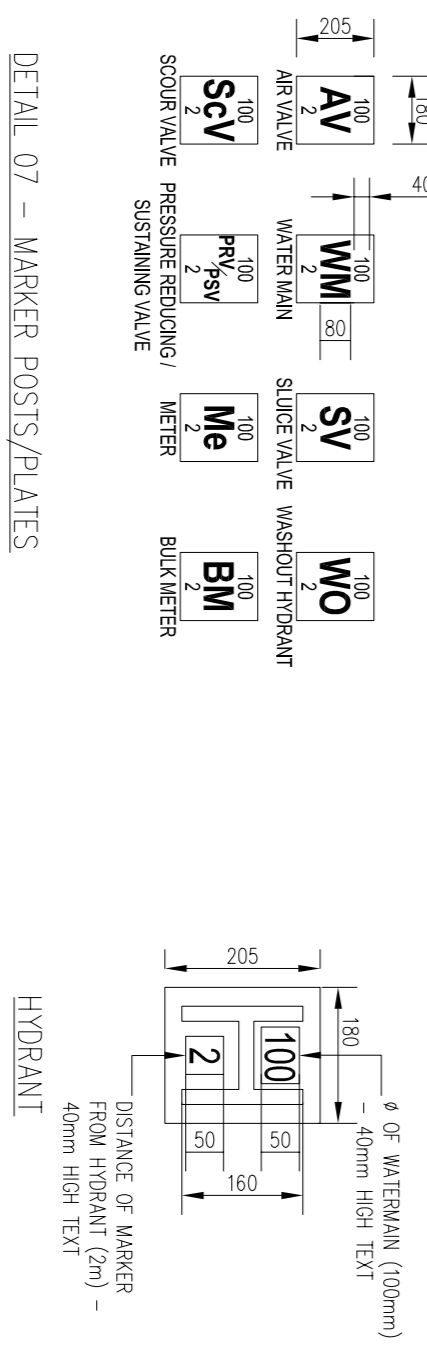
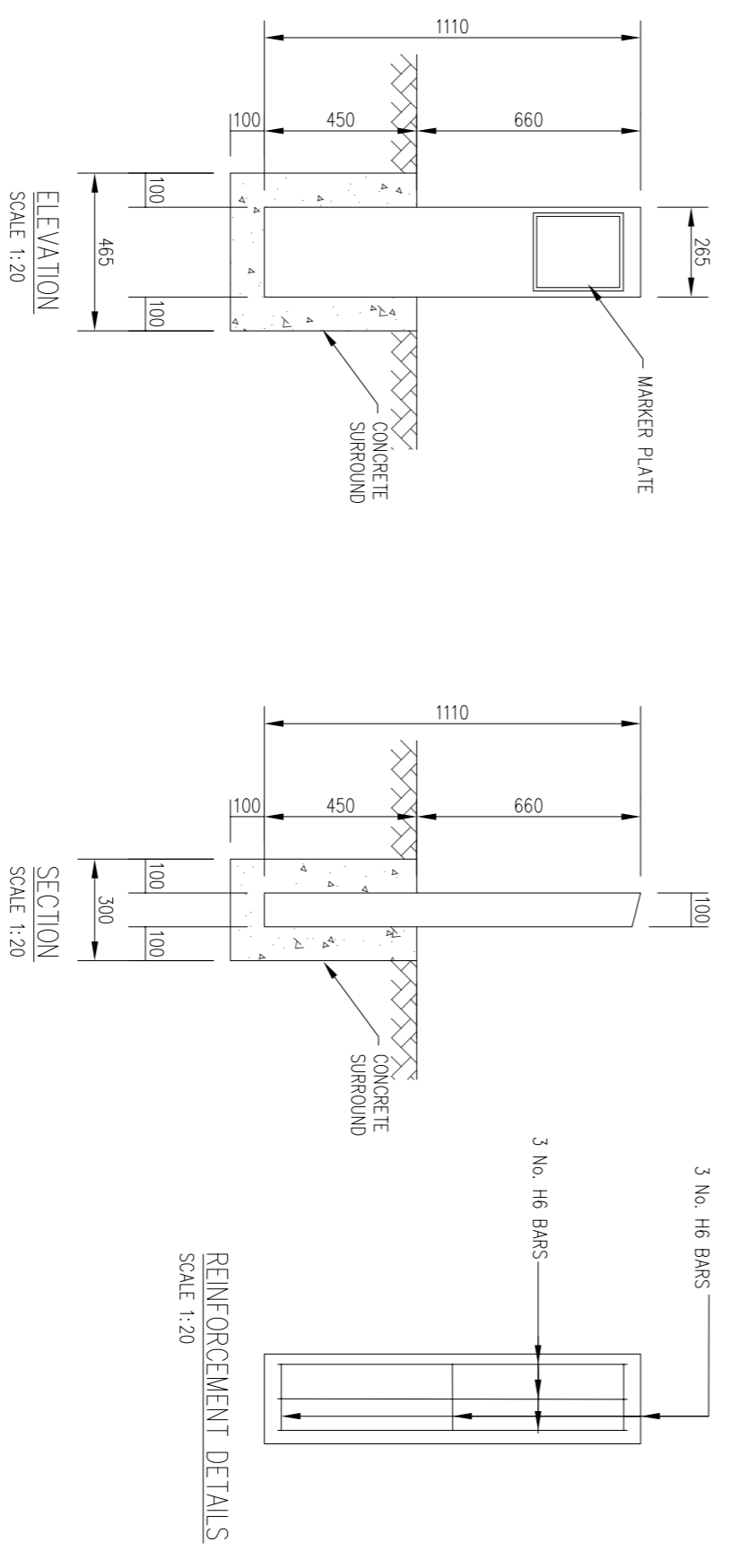


METER DIAMETER A (mm)	INTERNAL CHAMBER DIMENSIONS	COVER DIMENSIONS
50 - 100	1200 x 1200mm	350 x 350mm
101 - 250	1500 x 1500mm	900 x 900mm



NOM. DIAMETER (mm)	DIMENSIONS						
	A	B	C	D	E	F	G
100	750mm	400mm	200mm	100mm	220mm	400mm	530mm
150	1200mm	700mm	350mm	180mm	250mm	500mm	800mm

DETAIL 06 - WATER MAIN THRUST AND SUPPORT BLOCKS



DETAIL 05 - NON-MECH. METER CHAMBER (40-250mm Ø)

HAYES HIGGINS PARTNERSHIP
 The Glass House, 11 Coke Lane
 Smithfield, Dublin 7. Tel: 01 6612321
 E-mail: admin@hayeshiggins.ie
 One House Lane, Kildenny, Tel: (056) 7764710
 Fax: (056) 7764710

PROJECT NAME: APARTMENTS AT ST. LAURENCE'S PARK
 CLIENT: DÚN LAOGHAIRE - RATHDOWN COUNTY COUNCIL
 DRAWING NO.: 17D102
 REVISION: P
 SCALE: 1:200
 DRAWN BY: DW
 CHECKED BY: LM
 APPROVED BY: DH
 ISSUE DATE: 01.05.2020

NO.	DATE	DESCRIPTION	BY	CHK
1		ISSUED FOR PLANNING	DW	LM
2		REVISION	DW	LM

ISSUED FOR PLANNING
 SHEET 2 OF 4