



NOTES:

- FOR STANDARD DOBA NOTES REFER TO DRAWING 2256-DOB-XX-XX-DR-S00.1 & S00.2
- REFER TO ARCHITECTS DRAWINGS FOR ALL SITE & APPLICATION BOUNDARIES
- THIS DRAWING IS TO BE READ IN CONJUNCTION WITH ALL OTHER RELEVANT ARCHITECTS & ENGINEER'S DRAWINGS AND SPECIFICATIONS.
- USE FIGURED DIMENSIONS ONLY. DO NOT SCALE
- REFER TO SURVEY DRAWINGS FOR EXISTING SERVICES LAYOUTS AND MANHOLE INFORMATION
- ALL EXISTING SURFACES TO BE REINSTATED FOLLOWING DIVERSION OF SERVICES/CONSTRUCTION OF NEW SERVICES
- THE CONTRACTOR SHALL VERIFY ALL DIMENSIONS AND LEVELS WITH ARCHITECTURAL DRAWINGS PRIOR TO START OF CONSTRUCTION. ANY DISCREPANCIES TO BE NOTIFIED TO THE ENGINEER & ARCHITECT FOR RESOLUTION
- CONTRACTOR TO ENSURE ALL WATER & WASTEWATER RELATED WORKS ARE IN ACCORDANCE WITH THE IRISH WATER WATER INFRASTRUCTURE & WASTEWATER INFRASTRUCTURE CODE OF PRACTICE & STANDARD DETAILS DOCUMENTS
- TESTING OF ALL GRAVITY SEWERS AND MANHOLES TO BE IN ACCORDANCE WITH IRISH WATER CODE OF PRACTICE FOR WASTEWATER INFRASTRUCTURE SECTION 4.10 TESTING OF GRAVITY SEWERS & MANHOLES
- ALL CONSTRUCTED DRAINAGE TO BE JETTED CLEAN & A CCTV SURVEY IS TO BE CARRIED OUT AFTER INSTALLATION

SURVEY NOTES

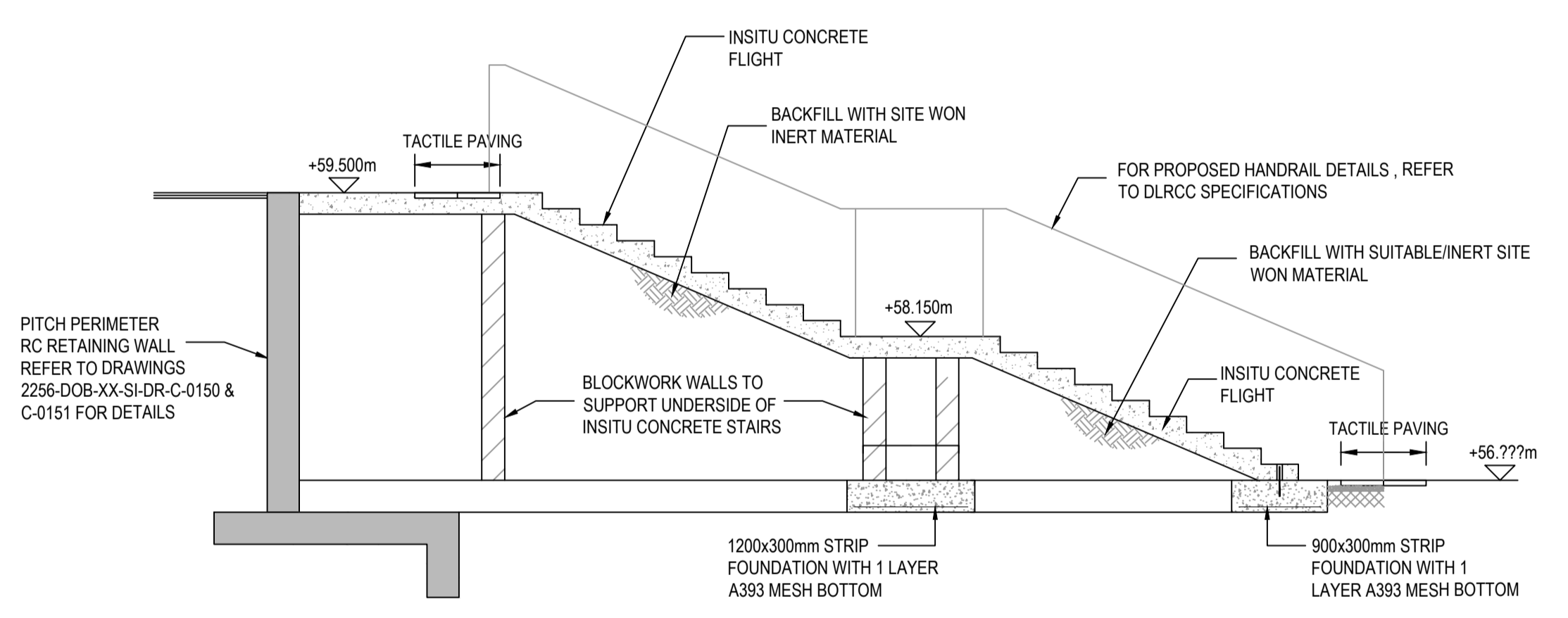
- TOPOGRAPHICAL SURVEY BASED ON EXISTING LEVELS DATED AUGUST 2022 FROM 3rd PARTY SPECIALIST. DOB & ASSOCIATES TAKES NO RESPONSIBILITY FOR ACCURACY OF SURVEY INFORMATION.
- MAIN CONTRACTOR TO ESTABLISH INDEPENDENTLY ORDNANCE DATUM ON SITE FOR LEVELS TO MAIN HEAD DATUM AND CO-ORDINATES FOR SETTING OUT TO NATIONAL GRID.
- MAIN CONTRACTOR TO VERIFY ALL UNDERGROUND SERVICES ON THE SITE INCLUDING ALL ANOMALIES NOTED ON THE GPR SURVEY AND TO TAKE ALL NECESSARY PRECAUTIONS PRIOR TO ANY EXCAVATIONS ON THE SITE.
- REFER TO M&E ENGINEERS DRAWINGS FOR DIVERSION / DEMOLITION OF ALL UNDERGROUND ELECTRICAL CABLES / DUCTS, TELECOM DUCTS, LIGHTING DUCTS, OIL LINES ETC.

KEY PLAN
SCALE 1:1000

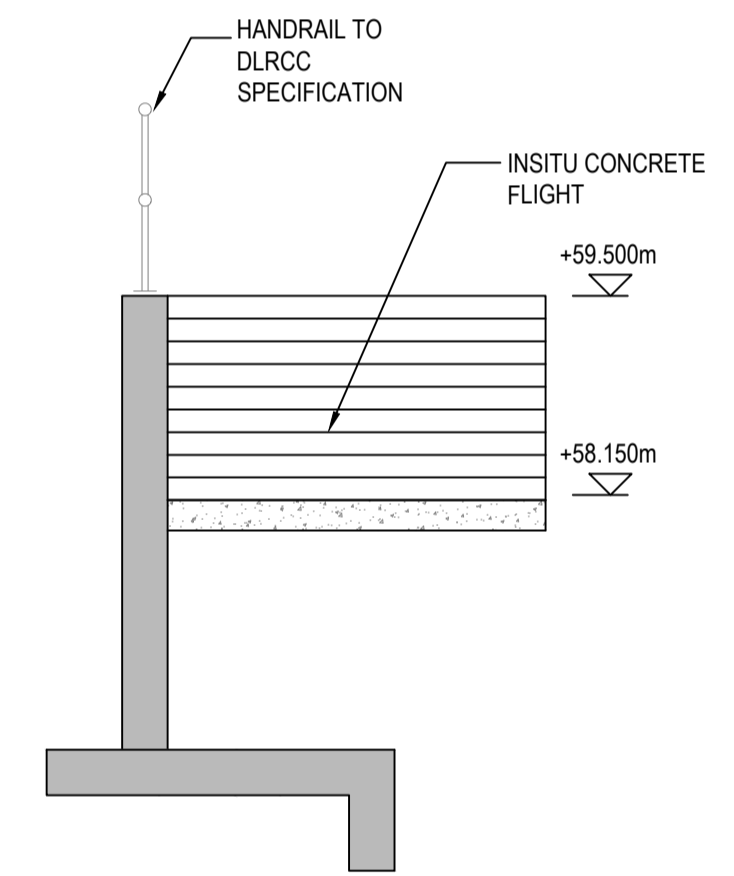


GENERAL LEGEND:

- PROPOSED PITCH
- PROPOSED PAVING
- PROPOSED RETAINING WALL
- PROPOSED LIGHTING COLUMN
- PROPOSED CORDUROY TACTILE PAVING SURFACING
- PROPOSED SPOT LEVELS
- PROPOSED PITCH FALLS
- PROPOSED CONTOURS

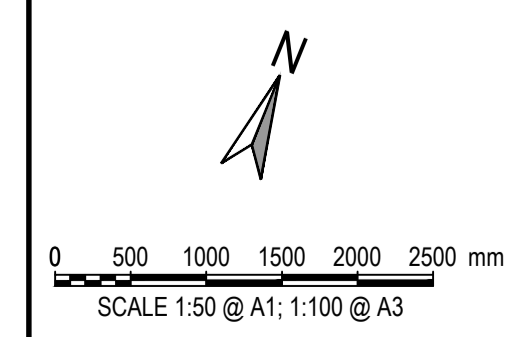


A SECTION
0140 Scale 1:50



B SECTION
0140 Scale 1:50

FOR INFORMATION ONLY



Rev.	Note	Date	Drawn	Check
<p>DONNACHADH O'BRIEN & ASSOCIATES CONSULTING ENGINEERS</p> <p>UNIT 5C ELM HOUSE MILLENNIUM PARK NAAS CO. KILDARE</p> <p>P +353 45 984 042 INFO@DOBRIEN-ENGINEERS.IE WWW.DOBRIEN-ENGINEERS.IE</p>				
Client: DUN LAOGHAIRE-RATHDOWN COUNTY COUNCIL				
Project: ALL WEATHER PITCH AT OATLANDS COLLEGE				
Drawing Title: PROPOSED CONCRETE STEPS DETAILS				
Drawn By: KN	Checked By: AL	Approved By: DOB	Date: OCT 2022	Scale: AS SHOWN
Project Number: DOBA2256	Drawing Number: 2256-DOB-XX-SI-DR-C-0140	Status Code: S2	Rev Number: P01	Sheet Size: A1