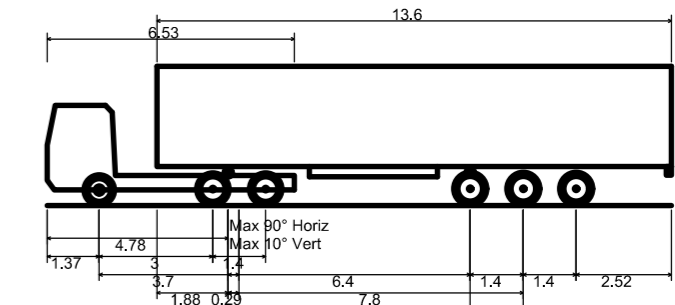
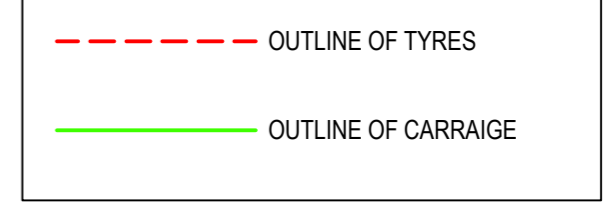


GENERAL NOTES:

1. REFER TO ARCHITECTS DRAWINGS FOR ALL SITE & APPLICATION BOUNDARIES
2. THIS DRAWING IS TO BE READ IN CONJUNCTION WITH ALL OTHER RELEVANT ENGINEER'S DRAWINGS AND SPECIFICATIONS
3. USE FIGURED DIMENSIONS ONLY. DO NOT SCALE
4. REFER TO SURVEY DRAWINGS FOR EXISTING SERVICES LAYOUTS AND MANHOLE INFORMATION

SWEPT PATH LEGEND

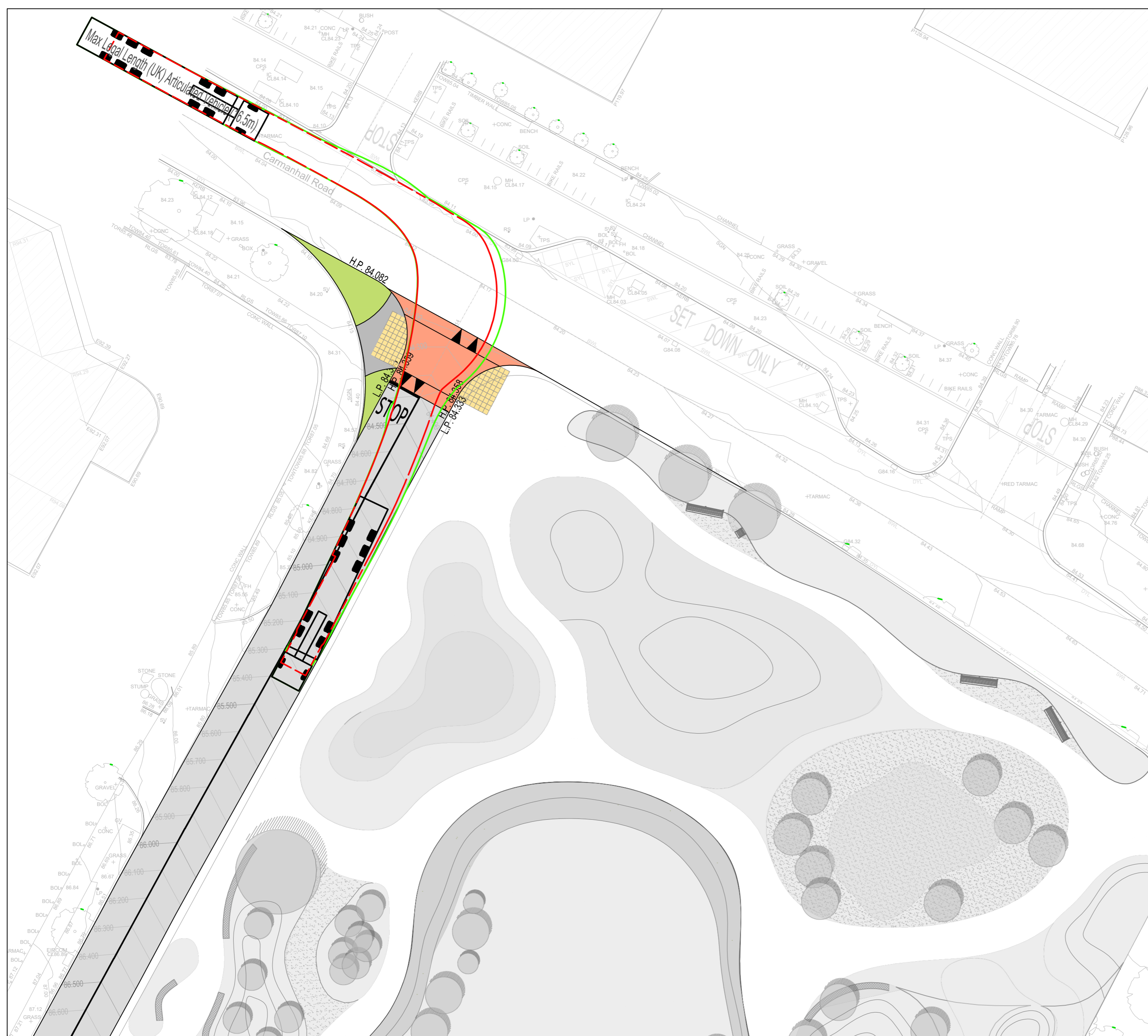


Max Legal Length (UK) Articulated Vehicle (16.5m)
 Overall Length 16.500m
 Overall Width 2.550m
 Overall Body Height 3.681m
 Min Body Ground Clearance 0.411m
 Max Track Width 2.500m
 Lock-to-lock time 6.00s
 Curb to Curb Turning Radius 6.530m

VEHICLE DETAILS

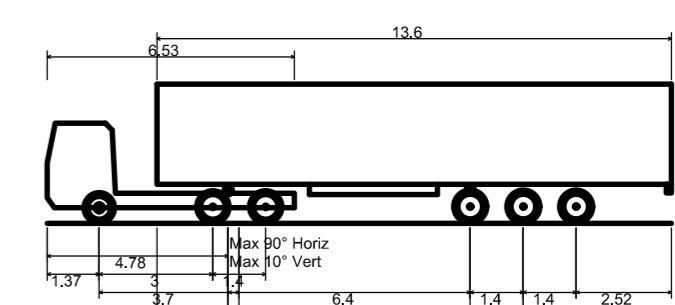
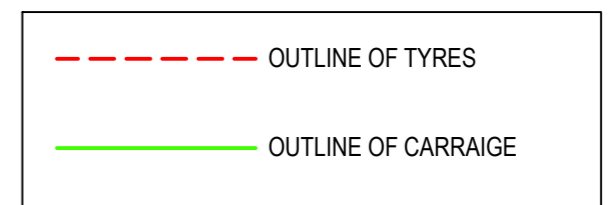


PROPOSED ARTICULATED VEHICLE (16.5m) TRACKING
 SCALE 1:250



PROPOSED ARTICULATED VEHICLE (16.5m) TRACKING
 SCALE 1:250

SWEPT PATH LEGEND



Max Legal Length (UK) Articulated Vehicle (16.5m)
 Overall Length 16.500m
 Overall Width 2.550m
 Overall Body Height 3.681m
 Min Body Ground Clearance 0.411m
 Max Track Width 2.500m
 Lock-to-lock time 6.00s
 Curb to Curb Turning Radius 6.530m

VEHICLE DETAILS

ISSUED FOR PLANNING

S2.P03	ISSUED FOR PLANNING	12.02.2026	CW	AL
P02	DRAFT ISSUE	19.12.2025	CW	AL
P01	DRAFT ISSUE	22.10.2025	CW	AL
Rev.	Note	Date	Drawn	Check

DONNACHADH O'BRIEN & ASSOCIATES CONSULTING ENGINEERS	UNIT 5C ELM HOUSE MILLENNIUM PARK NAAS CO. KILDARE	PHONE +353 45 954 042 INFO@DOBRIEN-ENGINEERS.IE WWW.DOBRIEN-ENGINEERS.IE
	Client: DUN LAOGHAIRE RATHDOWN COUNTY COUNCIL	

Project: PROPOSED CIVIC PARK
 SANDYFORD, DUBLIN, CO. DUBLIN

Drawing Title: PROPOSED AUTOTRACKS AT CORRIG/CARMANSHALL JUNCTION

Drawn By:	Checked By:	Approved By:	Date:	Scale:	Sheet Size:
CW	AL	AL	OCTOBER 2025	1:250	A1
Project Number:	Drawing Number:	Status Code:	Rev Number:		
DOBA2511	2511-DOB-XX-SI-DR-C-0801	S2	P03		