

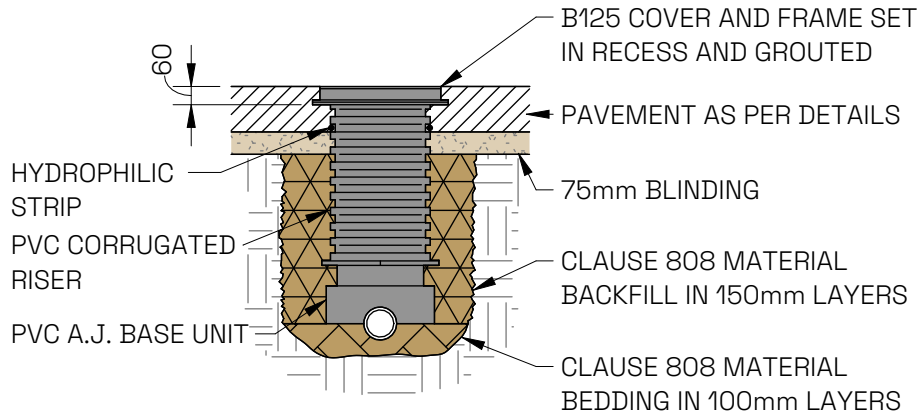
Title: ACCESS JUNCTION

Notes: SUITABLE FOR SW & FW DRAINAGE

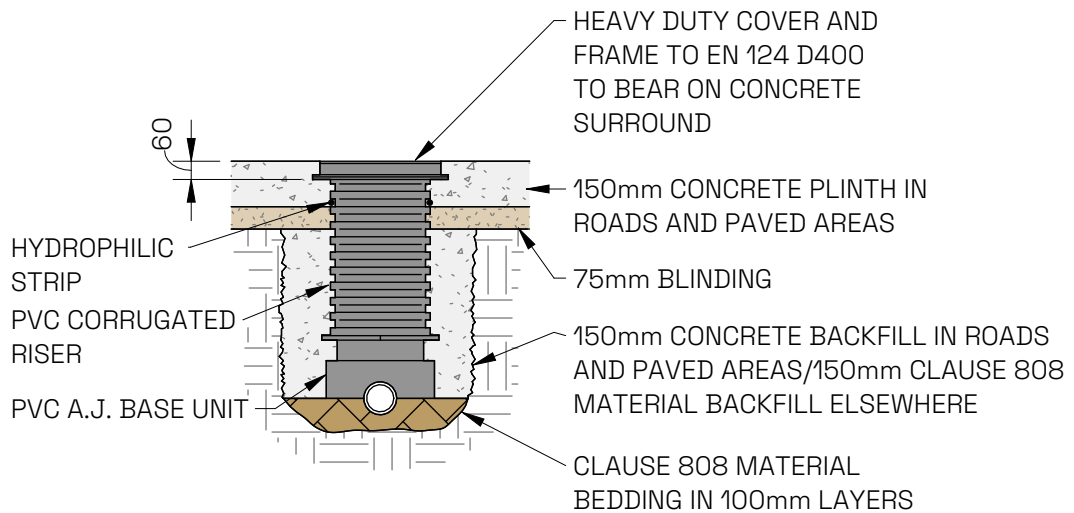


Dwg No: TYP-C-018

Scale@A4: 1:25



## ACCESS JUNCTION (LANDSCAPED/FOOTPATH)



## ACCESS JUNCTION DETAIL (TRAFFICKED)