

Title: DRAINAGE PIPE CROSSING

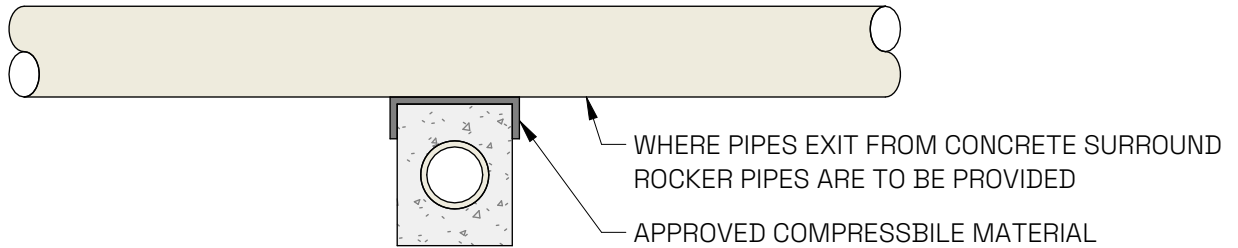
Notes: SUITABLE FOR SW & FW

Dwg No: TYP-C-030

>1200mm COVER IN PAVED AREAS

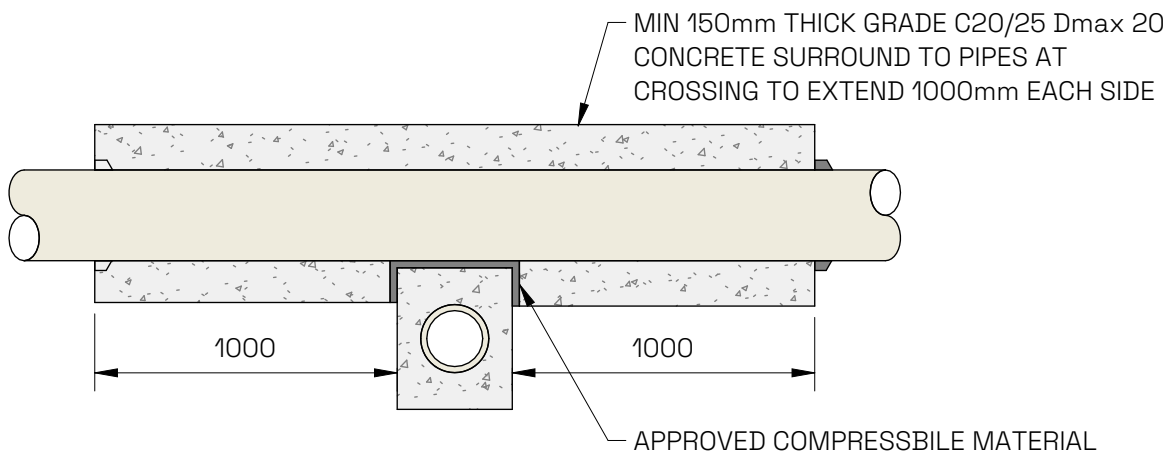
Scale@A4: 1:25

>900mm COVER IN LANDSCAPED AREAS



(FOR GAPS BETWEEN PIPES OF LESS THAN 300mm)

PIPE CROSSING WITH ADEQUATE COVER



(FOR GAPS BETWEEN PIPES OF LESS THAN 300mm)

PIPE CROSSING WITH SHALLOW COVER