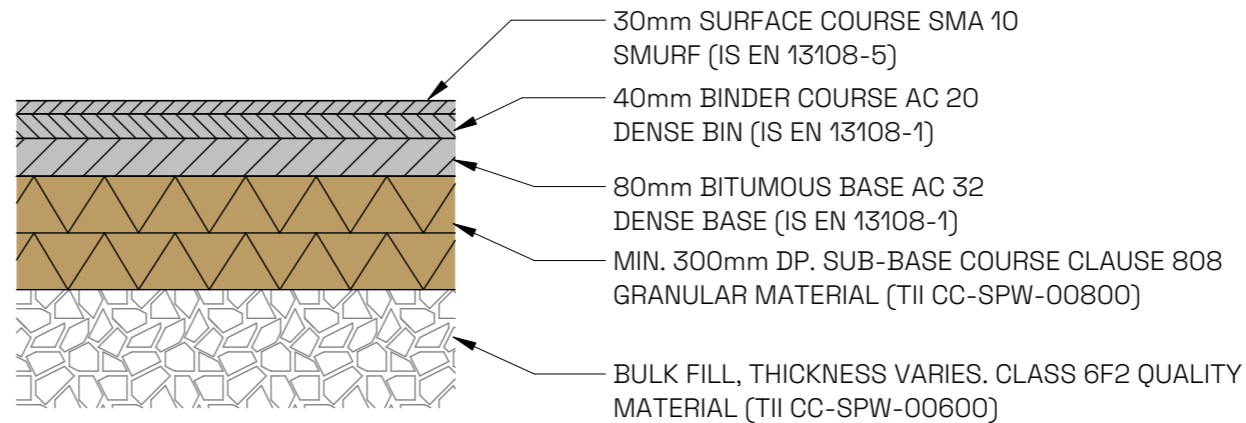
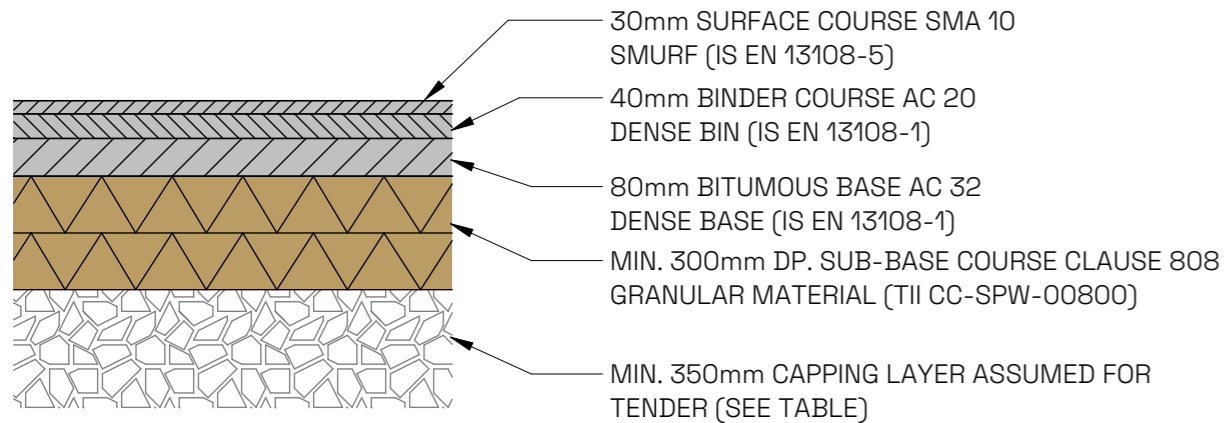


Title: TYPICAL ROAD BUILD-UP

Dwg No: TYP-C-101

Scale@A3: 1:20

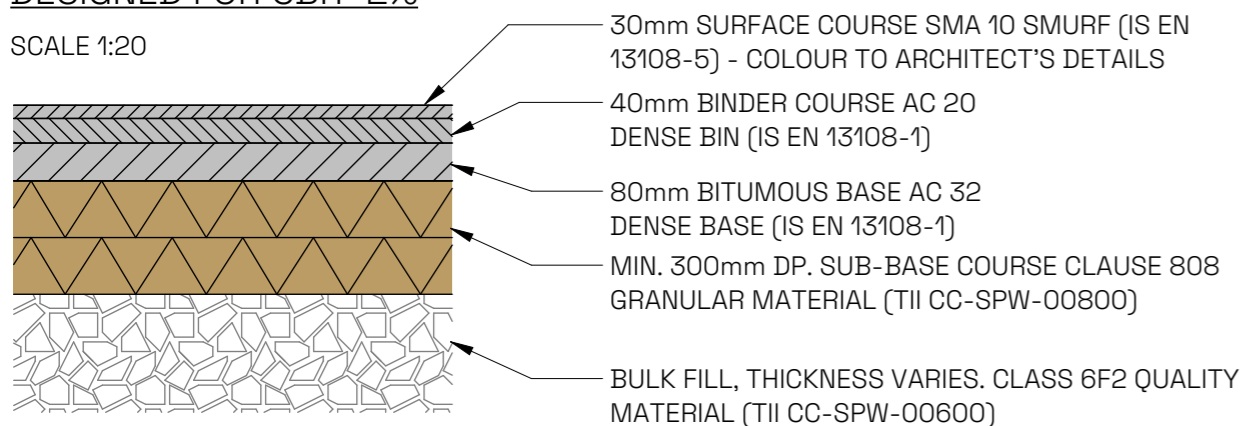
Notes:



## ROAD CONSTRUCTION

DESIGNED FOR CBR>2%

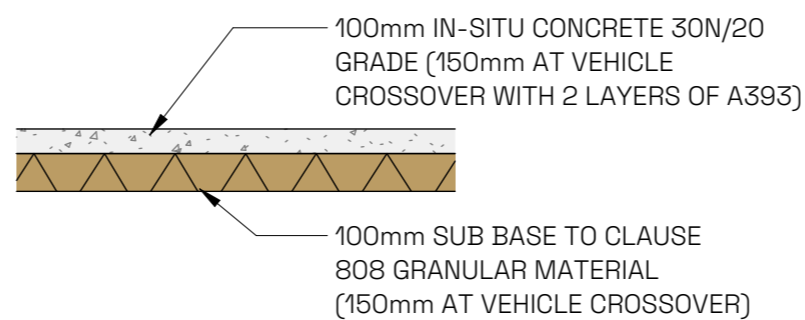
SCALE 1:20



## ROAD CONSTRUCTION

DESIGNED FOR AREAS OF CONSTRUCTED FILL

SCALE 1:20



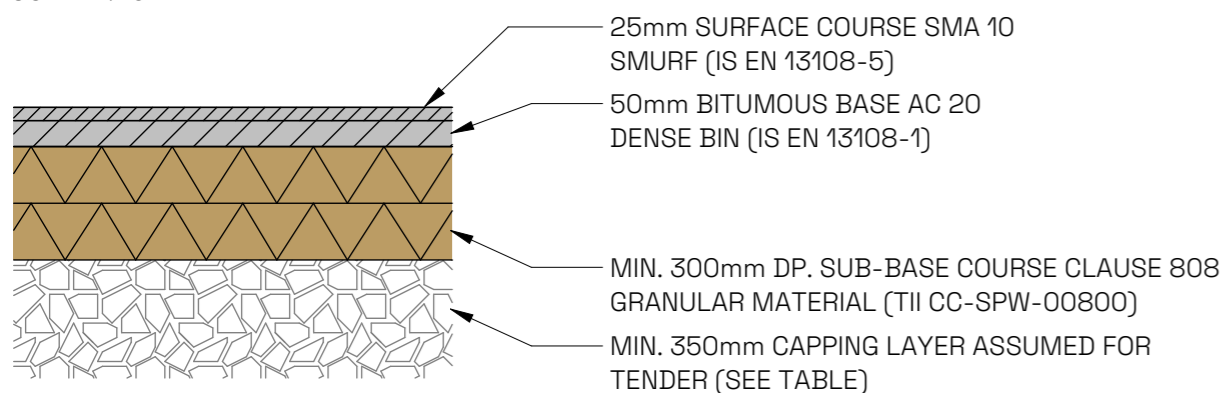
## FOOTPATH CONSTRUCTION

SCALE 1:20

## COLOURED ASPHALT

DESIGNED FOR AREAS OF CONSTRUCTED FILL

SCALE 1:20



## PARKING CONSTRUCTION/DRIVEWAY

DESIGNED FOR CBR >2%

SCALE 1:20

### ROAD CONSTRUCTION CBR VALUES

CBR	CAPPING	SUB-BASE
<2%	450mm THICK CAPPING LAYER TYPE 6F2 MATERIAL*	150mm THICK TYPE 1 GRANULAR MATERIAL TO DOT 803
2%-5%	300mm THICK CAPPING LAYER TYPE 6F2 MATERIAL*	150mm THICK TYPE 1 GRANULAR MATERIAL TO DOT 803
5-15%	NOT REQUIRED	300mm THICK TYPE 1 GRANULAR MATERIAL TO DOT 803
15%<	NOT REQUIRED	250mm THICK TYPE 1 GRANULAR MATERIAL TO DOT 803

**NOTE:**

\* GEOTEXTILE TO BE LAYED UNDER SUB-GRADE CONSULT ENGINEER

\*\* SUB-BASE THICKNESS MAY BE REDUCED TO 200mm IF SUB-GRADE PROVEN TO BE NON-FROST SUSCEPTIBLE