

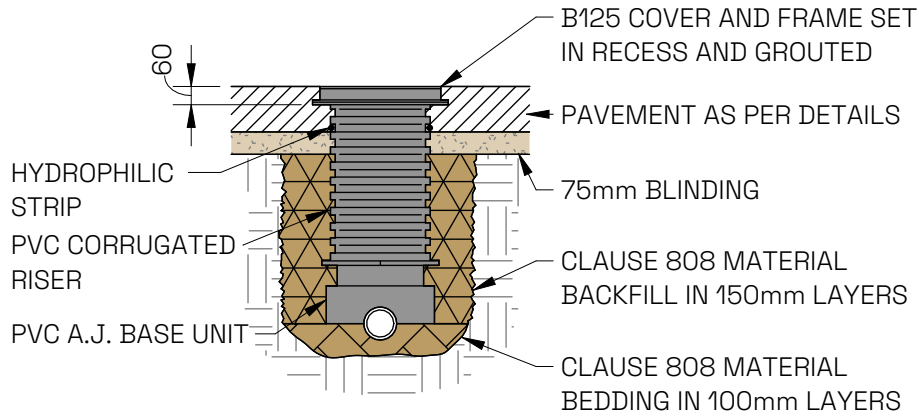
Title: ACCESS JUNCTION

Notes: SUITABLE FOR SW & FW DRAINAGE

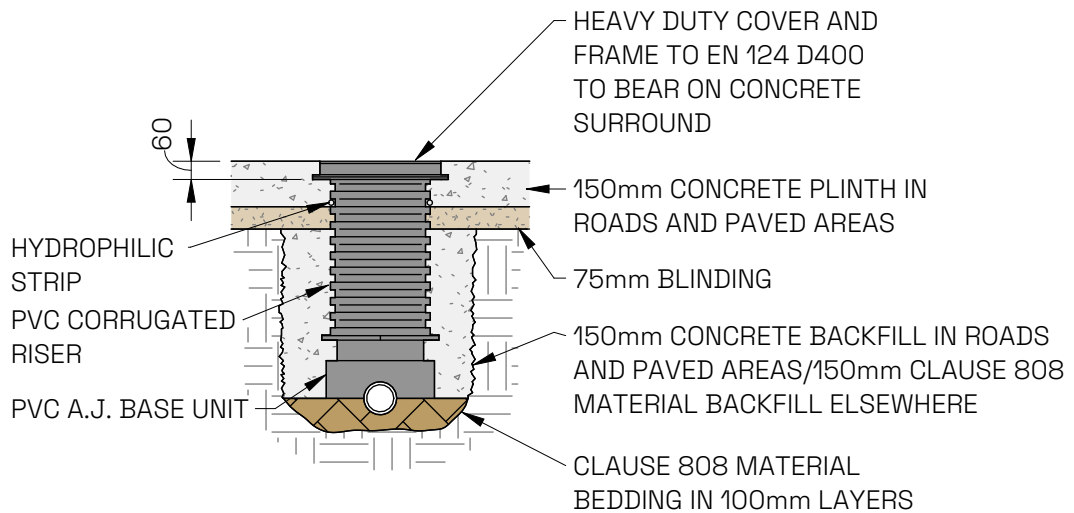


Dwg No: TYP-C-018

Scale@A4: 1:25



ACCESS JUNCTION (LANDSCAPED/FOOTPATH)



ACCESS JUNCTION DETAIL (TRAFFICKED)