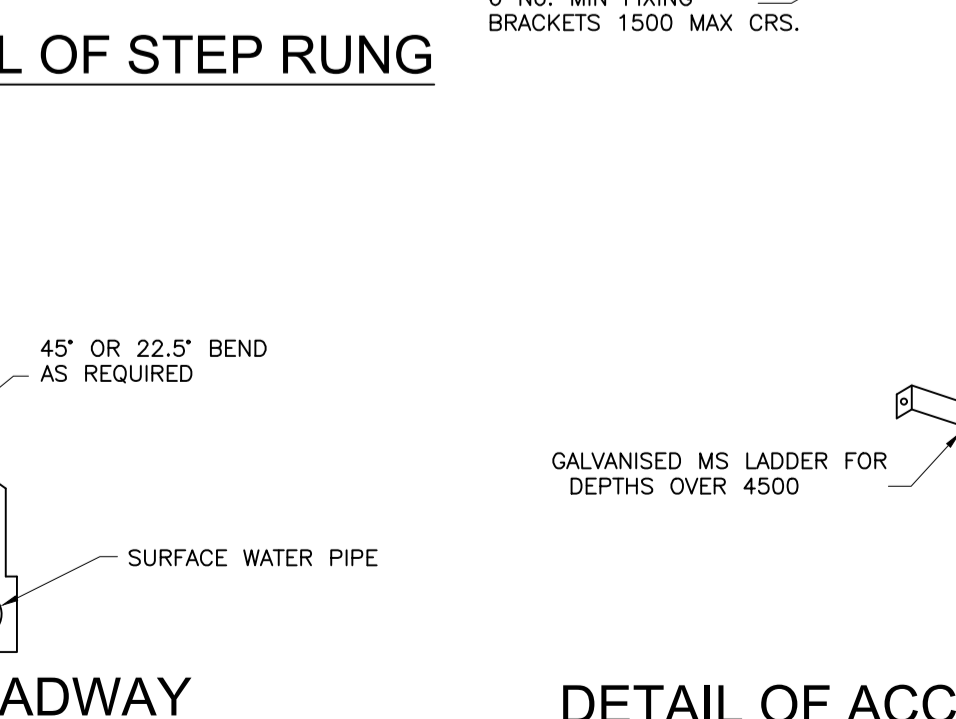
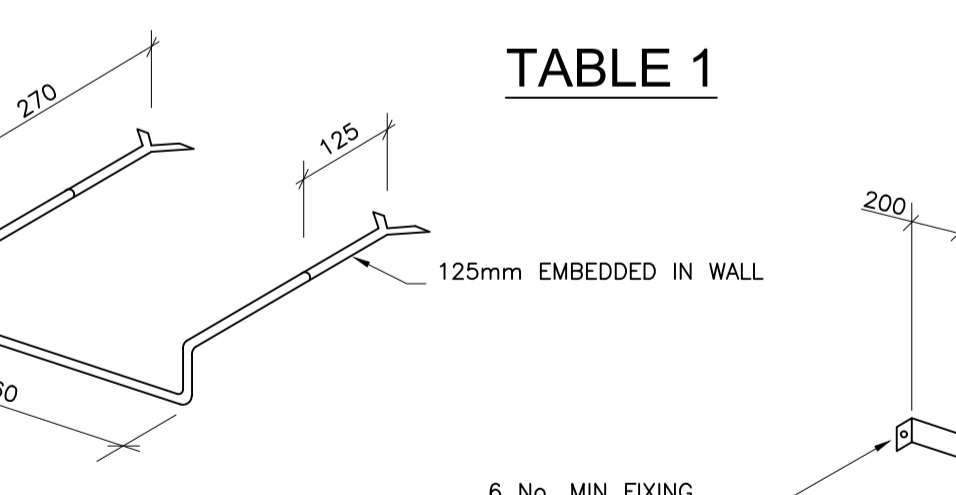


GULLY CONNECTION TO S.W. SEWER ACROSS ROADWAY

DEPTH	DIAMETER OF PIPE		ANGLE		MINIMUM DIMENSIONS		P.C. CONCRETE CIRCULAR SHAFT INTERNAL MH Ø
	Ø	Ø			LENGTH	WIDTH	
LESS THAN 1200	100	0-90°	1200	750	1050		1050
	150	0-90°	1200	750	1050		1050
	225	0-30°	1200	750	1050		1050
		30°-90°	1200	750	1050		1050
	300	0-30°	1200	750	1050		1050
		30°-90°	1200	900	1050		1050
	375	0-90°	1200	900	1050		1050
	450	0	1200	1050	1050		1050
		0-90°	1200	1200	1050		1050
	525	0	1200	1200	1200		1200
0-90°		1200	1200	1200		1200	
600	0	1200	1200	1200		1200	
	0-45°	1200	1350	1350		1350	
750	0-45°	1200	1350	1350		1350	
	45°-90°	1350	1350	1350		1350	
900	0-45°	1350	1500	1500		1500	
	45°-90°	1500	1500	1500		1500	

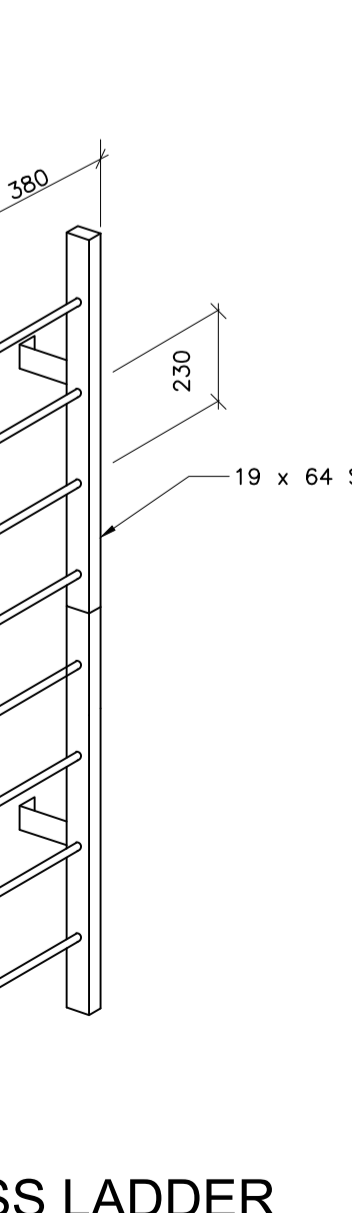
1200-3500	100	0-90°	1200	900	1200		1200
	150	0-90°	1200	900	1200		1200
	225	0-90°	1200	900	1200		1200
	300	0-90°	1200	900	1200		1200
	375	0-90°	1200	900	1200		1200
	450	0	1200	1050	1200		1200
		0-45°	1350	1350	1350		1350
	525	0	1200	1200	1200		1200
		0-45°	1200	1350	1350		1350
	600	0-45°	1350	1350	1350		1350
45°-90°		1350	1350	1350		1350	
750	0-45°	1200	1350	1350		1350	
	45°-90°	1350	1350	1350		1350	
900	0-45°	1350	1500	1800		1800	
	45°-90°	1500	1500	1800		1800	

3500-6000	100	0-90°	1200	900	1200		1200
	150	0-90°	1200	900	1200		1200
	225	0-90°	1200	900	1200		1200
	300	0-90°	1200	900	1200		1200
	375	0-90°	1200	900	1200		1200
	450	0-45°	1200	1350	1350		1350
		45°-90°	1350	1350	1350		1350
	525	0-45°	1200	1350	1350		1350
		45°-90°	1350	1350	1350		1350
	600	0-45°	1200	1350	1350		1350
45°-90°		1350	1350	1350		1350	
750	0-45°	1200	1350	1500		1500	
	45°-90°	1350	1350	1500		1500	
900	0-45°	1350	1500	1800		1800	
	45°-90°	1500	1500	1800		1800	



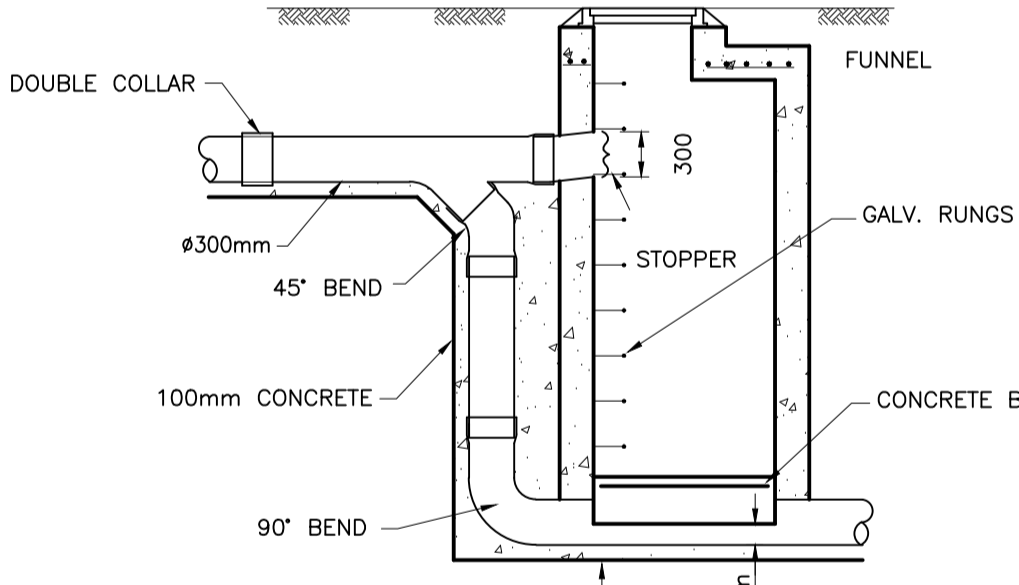
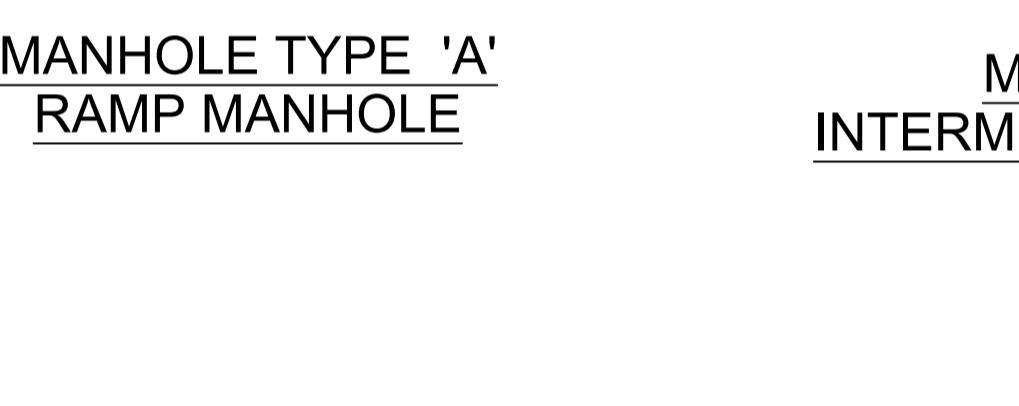
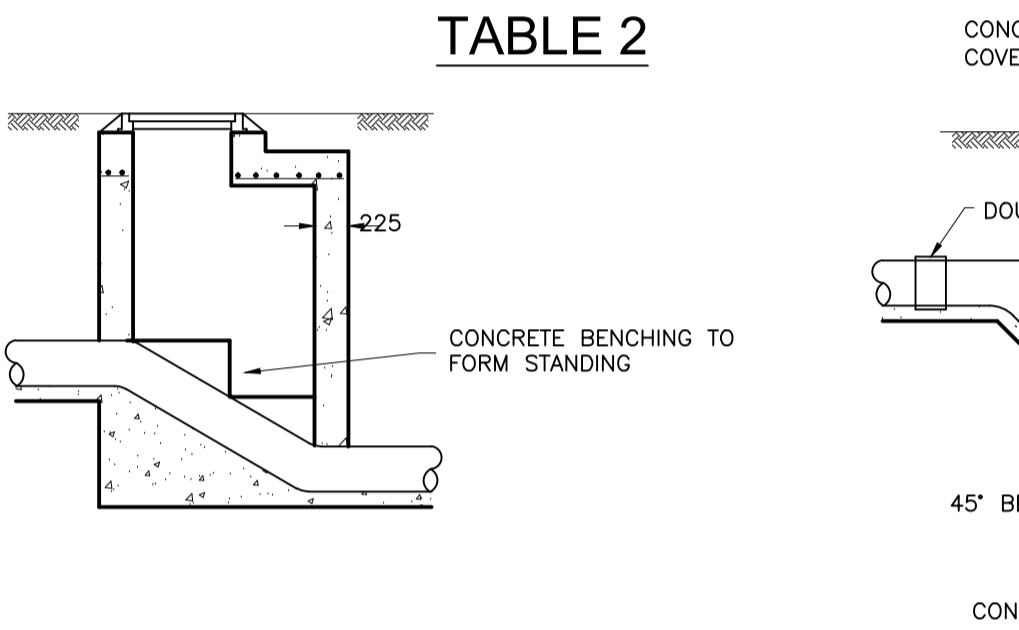
DETAIL OF ACCESS LADDER

MANHOLE TYPE	DIAMETER OF INLET	DROP	DIAMETER OF DROP	X
TYPE A	225	0-500	225	-
	300	500-1000	225	225
		> 1000	225	225
TYPE B	375	0-600	300	-
	450	600-1000	300	300
		> 1000	225	300
TYPE C	450	0-750	450	-
	525	750-1200	300	450
		> 1200	300	300
TYPE D	600	0-750	450	-
	750	750-1500	300	450
		> 1500	375	375

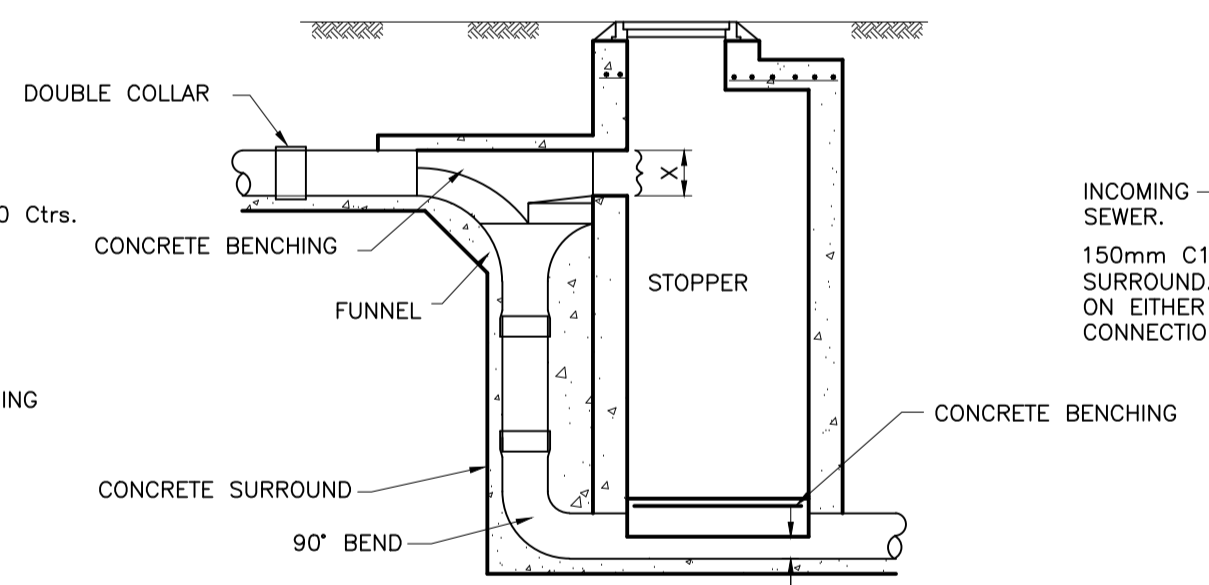
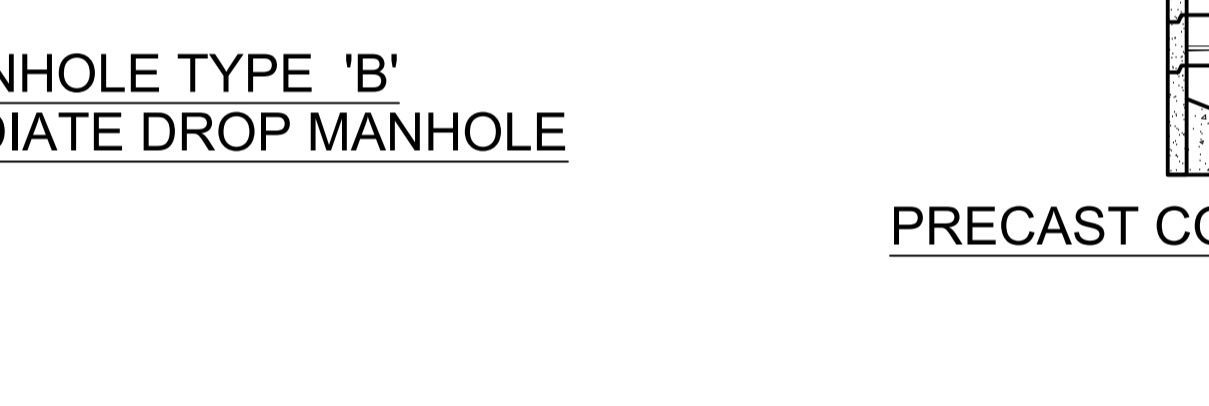
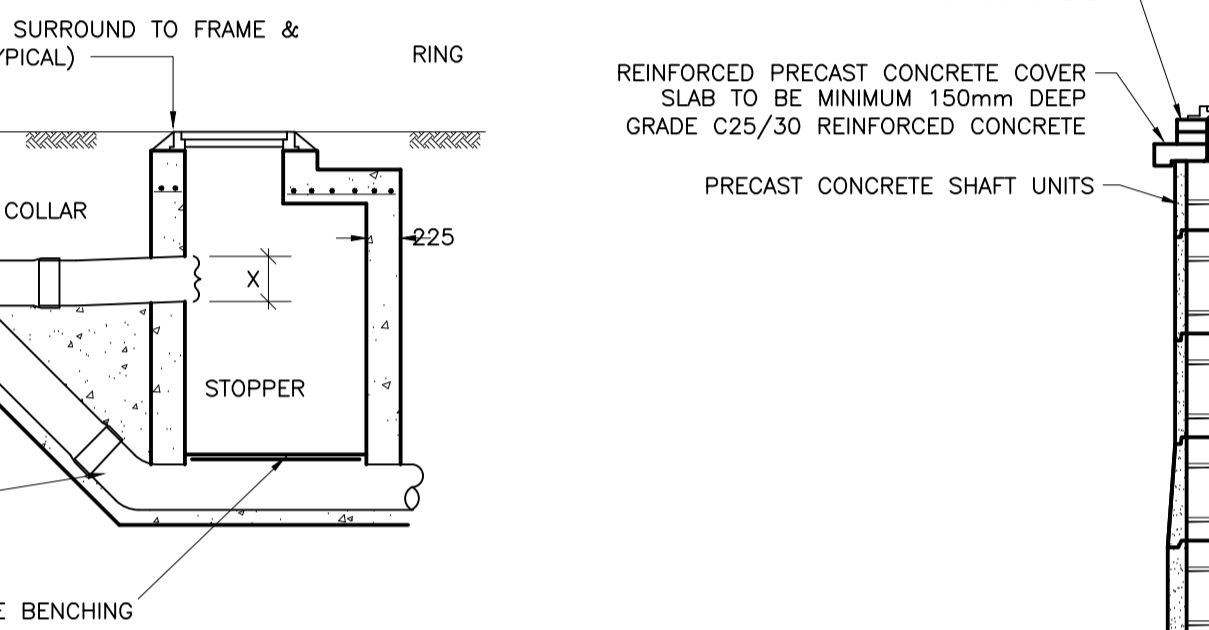
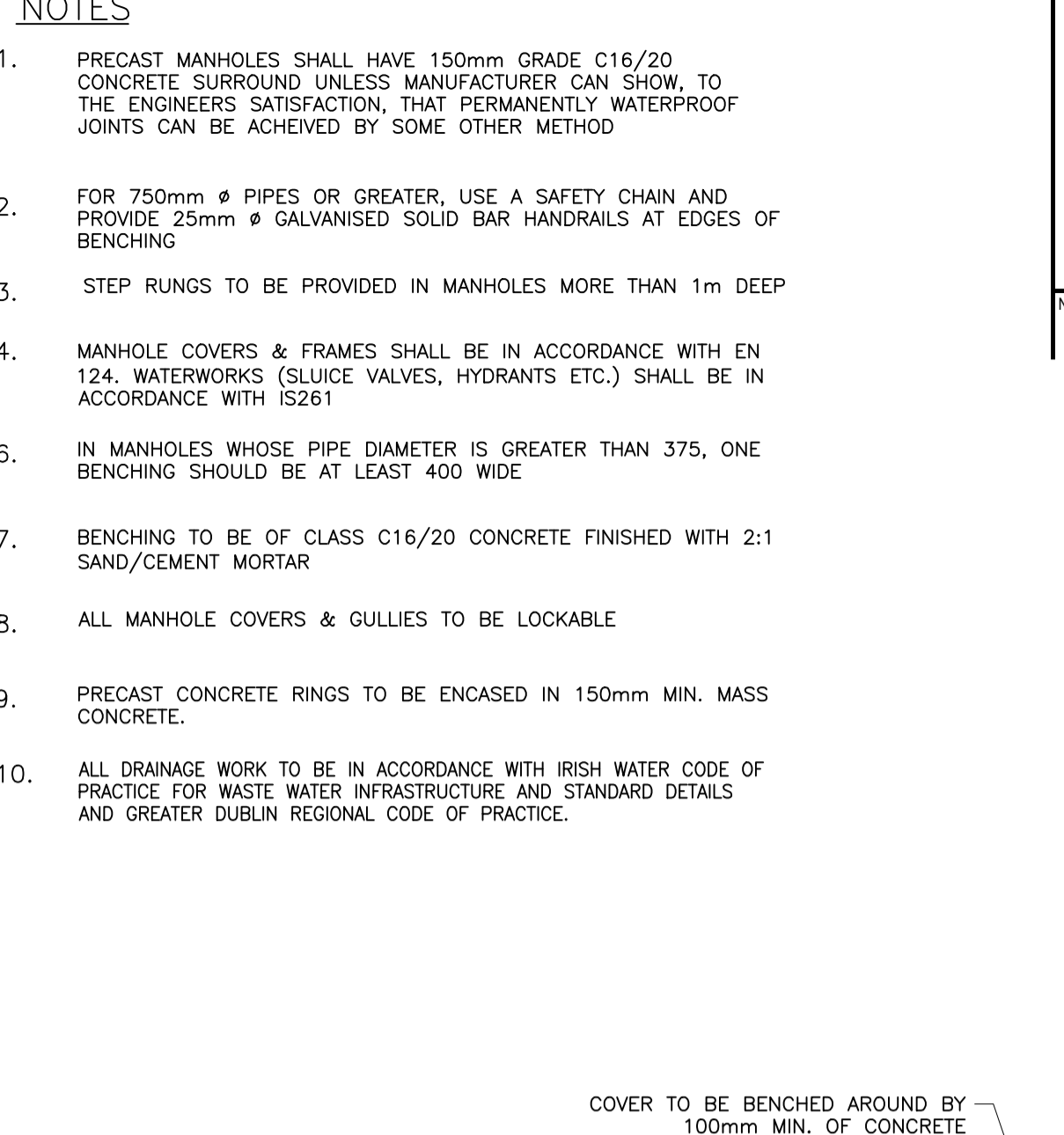


TYPICAL DETAIL OF SAFETY CHAIN

MANHOLE TYPE	DIAMETER OF INLET	DROP	DIAMETER OF DROP	X
TYPE A	225	0-500	225	-
	300	500-1000	225	225
		> 1000	225	225
TYPE B	375	0-600	300	-
	450	600-1000	300	300
		> 1000	225	300
TYPE C	450	0-750	450	-
	525	750-1200	300	450
		> 1200	300	300
TYPE D	600	0-750	450	-
	750	750-1500	300	450
		> 1500	375	375



MANHOLE TYPE 'C' BACK DROP MANHOLE



DETAIL OF ACCESS LADDER



TYPICAL DETAIL OF SAFETY CHAIN



DETAILS OF STANDARD MANHOLE 3000-6000 DEEP

NO PART OF THIS DRAWING MAY BE REPRODUCED OR TRANSMITTED IN ANY FORM OR STORED IN ANY RETRIEVAL SYSTEM OF ANY NATURE WITHOUT THE WRITTEN PERMISSION OF MALONE O'REGAN CONSULTING ENGINEERS AS COPYRIGHT HOLDER EXCEPT AS AGREED FOR USE ON THE PROJECT FOR WHICH THE DRAWING WAS ORIGINALLY CREATED.

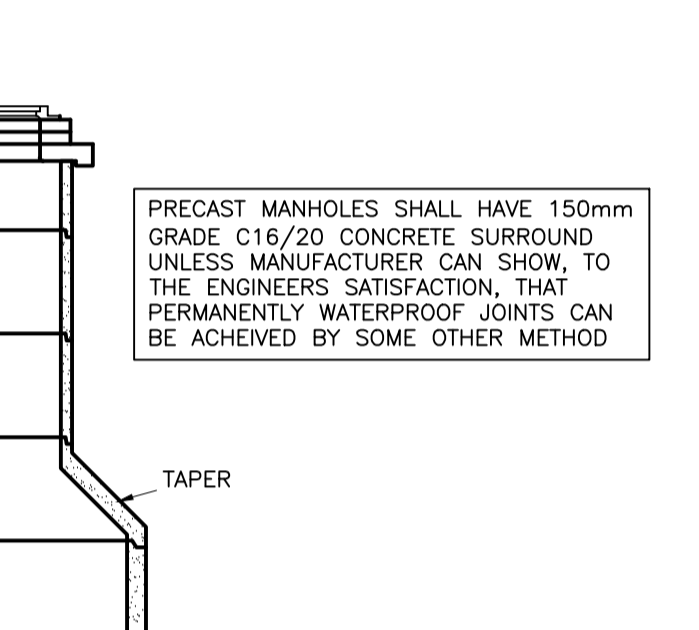
THIS DRAWING IS TO BE READ IN CONJUNCTION WITH ALL OTHER RELEVANT DRAWINGS, SPECIFICATIONS AND THE PRELIMINARY HEALTH & SAFETY PLAN.

ALL DIMENSIONS ARE IN MM UNLESS NOTED OTHERWISE. DO NOT SCALE DIMENSIONS.

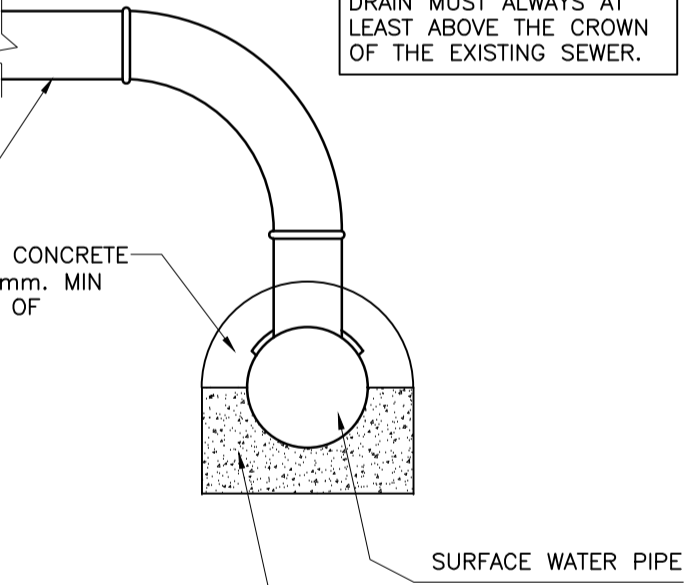
THE CONTRACTOR SHALL CHECK ALL DIMENSIONS PRIOR TO THE COMMENCEMENT OF CONSTRUCTION. ALL DISCREPANCIES SHALL BE REPORTED TO THIS OFFICE IN WRITING.

LOCAL AUTHORITY / COUNTY COUNCIL GUIDELINES FOR THE DESIGN AND CONSTRUCTION OF HOUSING MANUAL TO TAKE PRECEDENCE WHERE ANY CONFLICT OCCURS. GREATER DUBLIN REGIONAL CODE OF PRACTICE TO TAKE PRECEDENCE WHERE ANY CONFLICT OCCURS.

ALL EXCAVATIONS/FORMATIONS TO BE SUBJECT TO PLATE TESTS AT LOCATIONS TO BE AGREED ON SITE



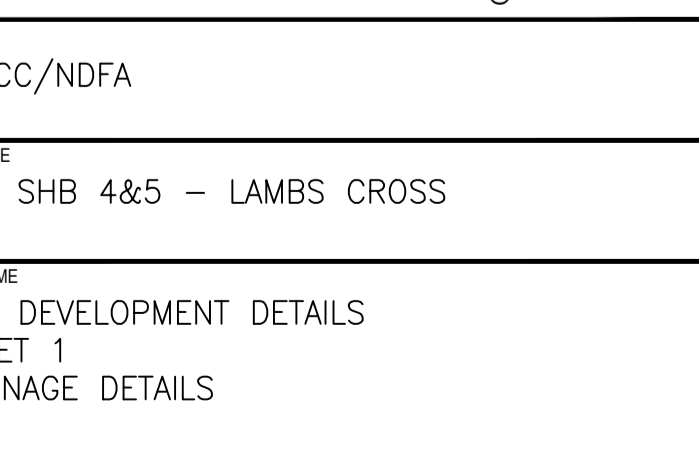
DETAILS OF STANDARD MANHOLE 3000-6000 DEEP



DETAILS OF STANDARD MANHOLE 3000-6000 DEEP



DETAILS OF STANDARD MANHOLE 3000-6000 DEEP



DETAILS OF STANDARD MANHOLE 3000-6000 DEEP

REV	DESCRIPTION	DATE	BY	CHK
0	ISSUED FOR PLANNING	24.10.24	KA	KA
1	DESCRIPTION			

STATUS: P3 - PLANNING

ADR
MALONE O'REGAN CONSULTING ENGINEERS
Unit 2B Richview Office Park, Clonskeagh, DUBLIN 14 D14 XT57
T: +353 1 260 2655
E: dublin@moroe.ie
W: www.maloneoregan.ie

Offices also in:
GALWAY T: +353 91 531 069 E: galway@moroe.ie
WATERFORD T: +353 51 876 855 E: waterford@moroe.ie

CLIENT: DLRC/NDFEA

JOB NAME: PPP SHB 4&5 - LAMBS CROSS

DRG NAME: SITE DEVELOPMENT DETAILS
SHEET 1
DRAINAGE DETAILS

JOB REF	SHEET	SCALE	DATE	BY	ENG	APP	REV
23006	A1	SHOWN	JULY 2024	KD	KA	FM	0

DRG NO: SHB5-LDR-DR-MOR-CS-P3-137