

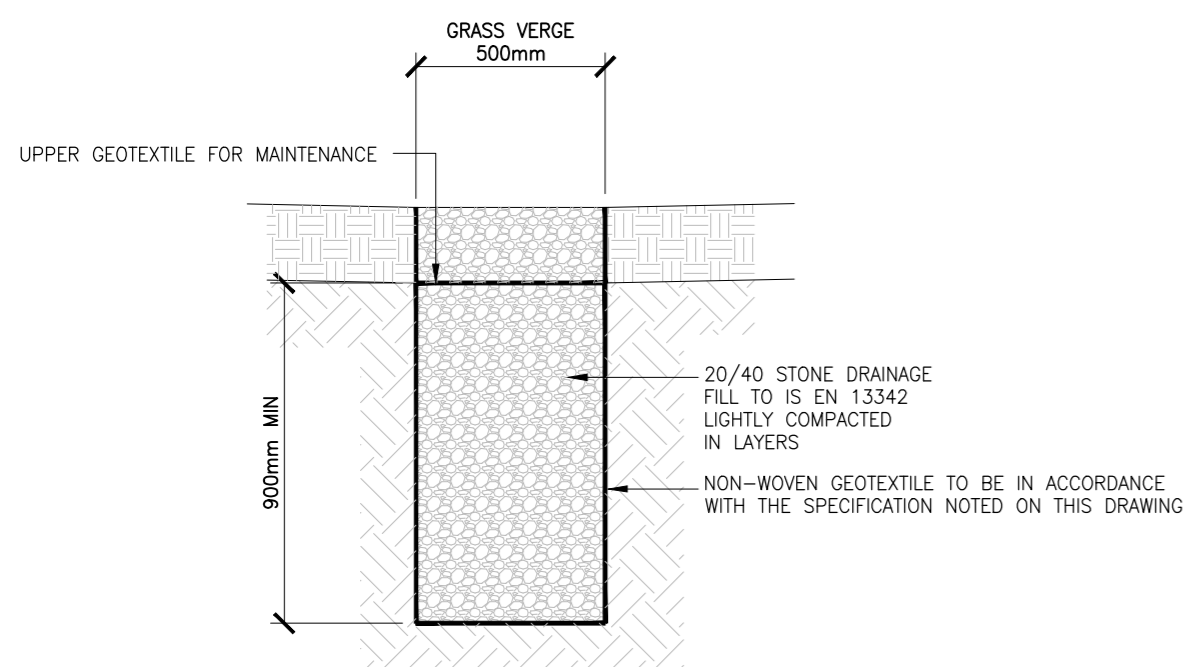
NO PART OF THIS DRAWING MAY BE REPRODUCED OR TRANSMITTED IN ANY FORM OR STORED IN ANY RETRIEVAL SYSTEM OF ANY NATURE WITHOUT THE WRITTEN PERMISSION OF MALONE O'REGAN CONSULTING ENGINEERS AS COPYRIGHT HOLDER EXCEPT AS AGREED FOR USE ON THE PROJECT FOR WHICH THE DRAWING WAS ORIGINALLY CREATED.

THIS DRAWING TO BE READ IN CONJUNCTION WITH ALL OTHER RELEVANT DRAWINGS, SPECIFICATIONS AND THE PRELIMINARY HEALTH & SAFETY PLAN.

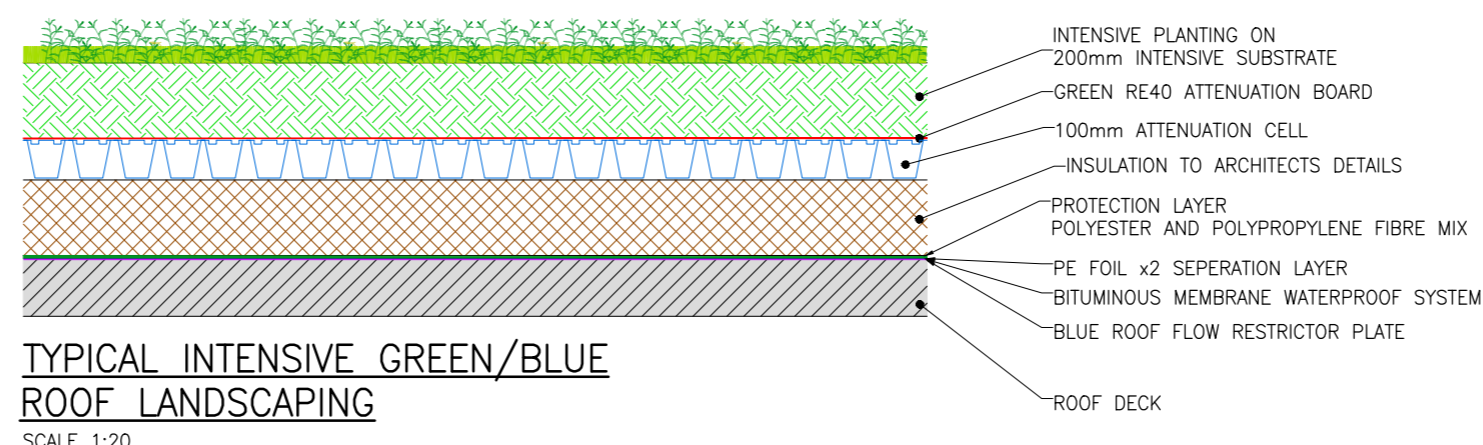
ALL DIMENSIONS ARE IN mm UNLESS NOTED OTHERWISE. DO NOT SCALE DIMENSIONS.

THE CONTRACTOR SHALL CHECK ALL DIMENSIONS PRIOR TO THE COMMENCEMENT OF CONSTRUCTION. ALL DISCREPANCIES SHALL BE REPORTED TO THIS OFFICE IN WRITING.

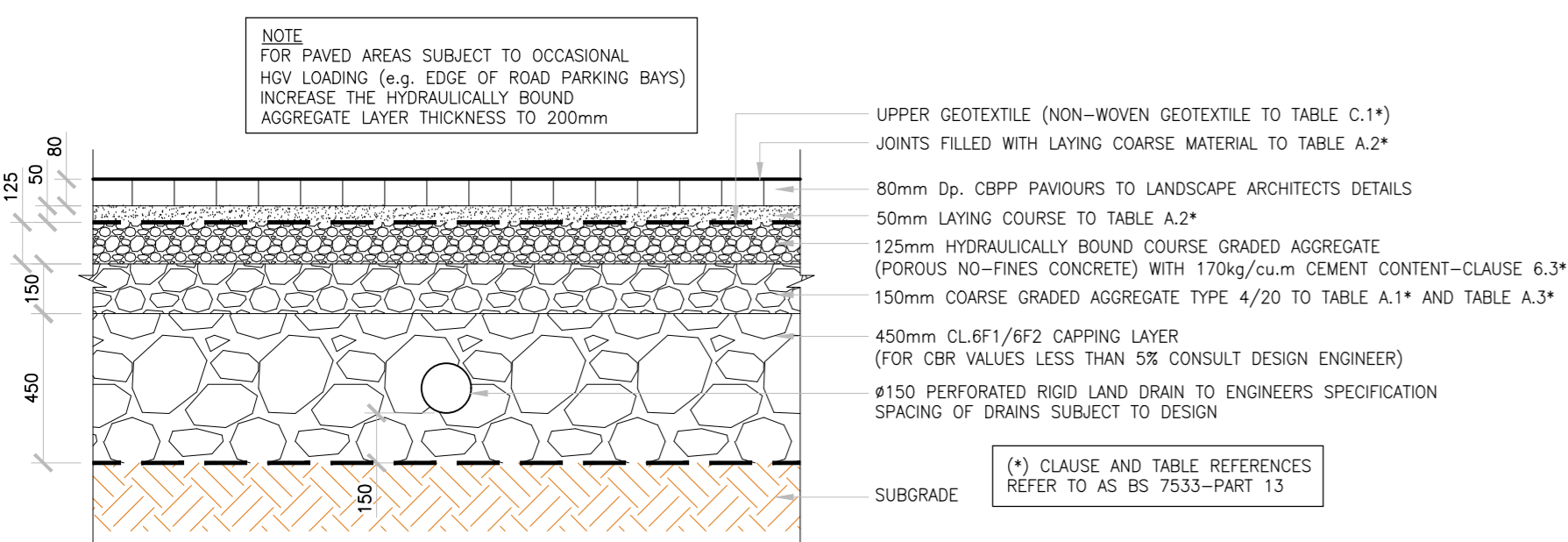
NOTES



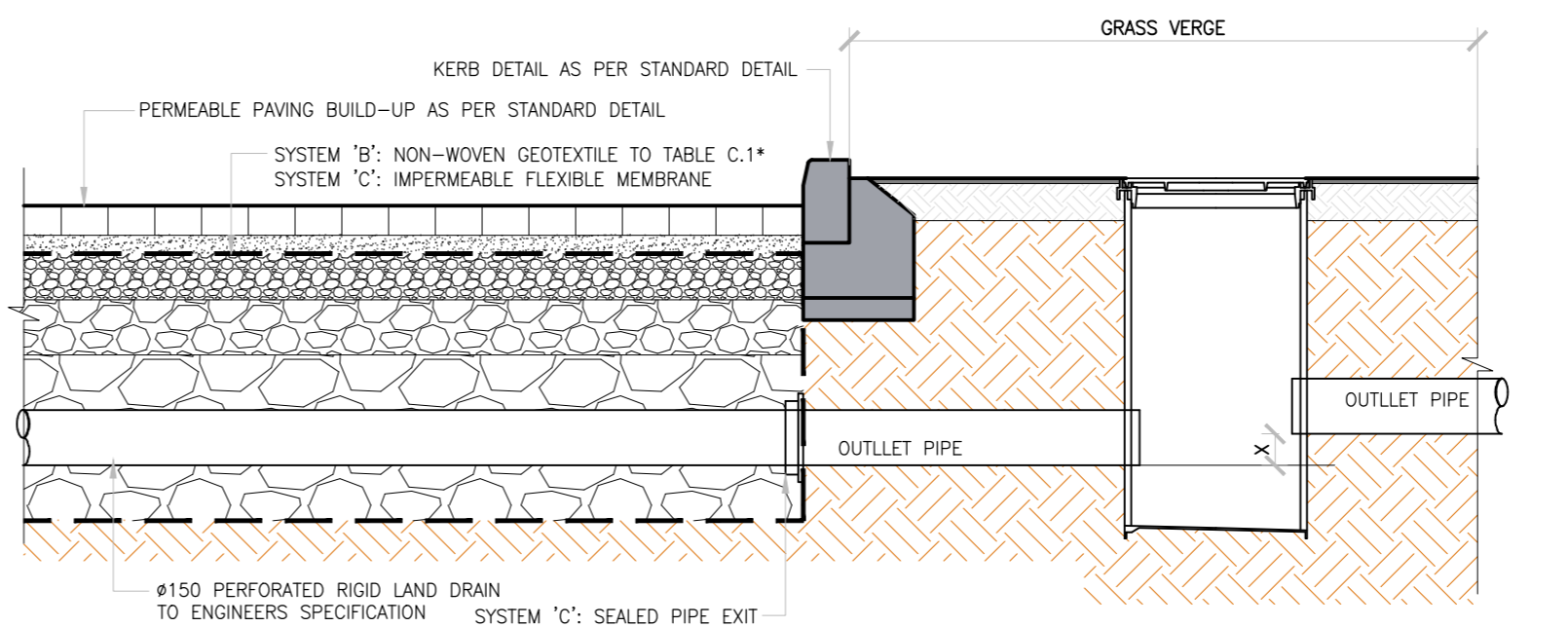
TYPICAL SECTION THROUGH RAINGARDEN/BIORETENTION AREA
SCALE 1:20



TYPICAL INTENSIVE GREEN/BLUE ROOF LANDSCAPING
SCALE 1:20



PERMEABLE PAVING
SCALE 1:20



TYPICAL PERMEABLE PAVING OUTLET DETAIL
SCALE 1:20

OUTLET PIPE OFFSET DISTANCE 'X' ABOVE THE INLET TO ACHIEVE INTERCEPTION STORAGE IN THE PAVEMENT BUILDUP = 0.36A WHERE A = PERMANENT AREA (ALLOWS FOR 30% VOIDS IN THE GRANULAR LAYER)

3	ISSUED FOR PLANNING	25.10.24	KA	KA
2	ISSUED FOR INFORMATION	12.07.24	KA	FM
1	ISSUED FOR INFORMATION	14.06.24	KA	FM
0	ISSUED FOR INFORMATION	11.01.24	KA	PB
REV	DESCRIPTION	DATE	BY	CHK

STATUS
P3 - PLANNING

MOR Unit 2B Richview Office Park,
Clonskeagh,
DUBLIN 14
D14 XT57
T: +353 1 260 2655
E: dublin@mor.ie
W: www.maloneoregan.ie

Offices also in:
GALWAY T: +353 91 531 069 E: galway@mor.ie
WATERFORD T: +353 51 876 855 E: waterford@mor.ie

CLIENT
DLRCC/NDFA

JOB NAME
PPP SHB 4&5 - LAMBS CROSS

DRG. NAME
SuDS DRAINAGE DETAILS

JOB REF	SHEET	SCALE	DATE	BY	ENG	APP	REV.
23006	A1	SHOWN	JAN' 24	KA	KA	PB	3

DRG. NO.
SHB5-LDR-DR-MOR-CS-P3-151