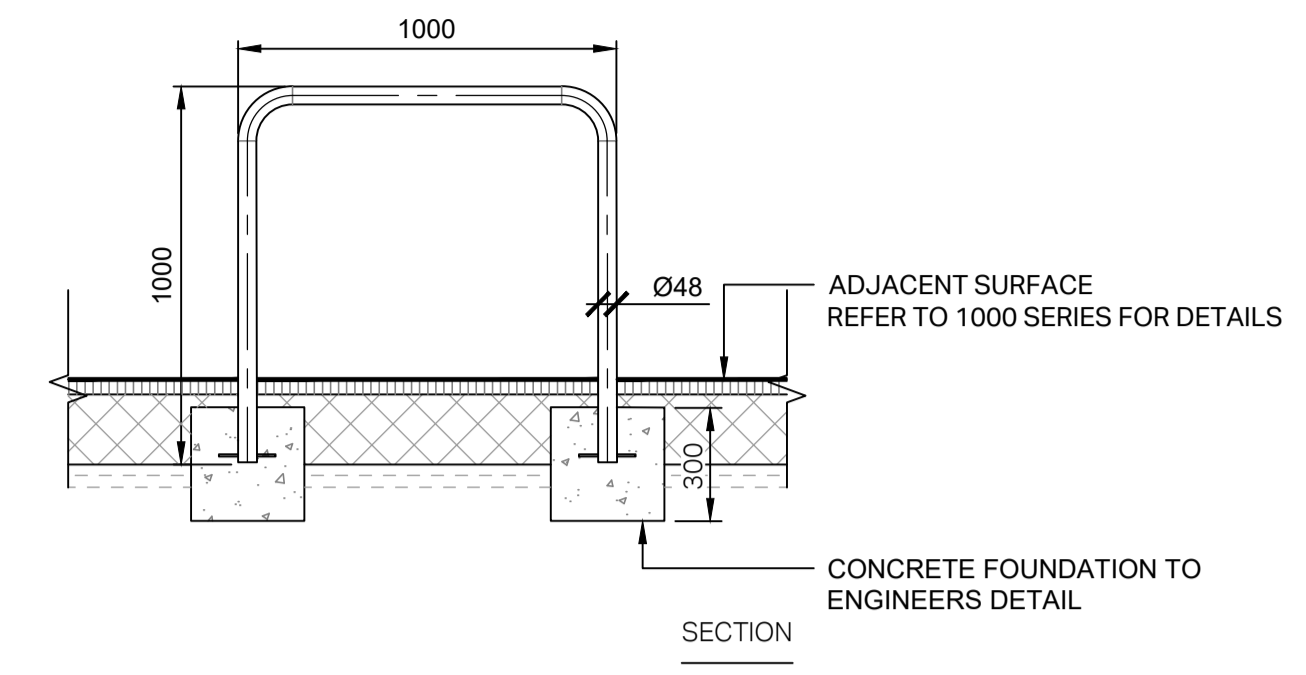


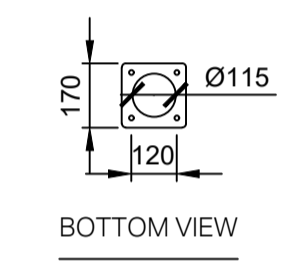
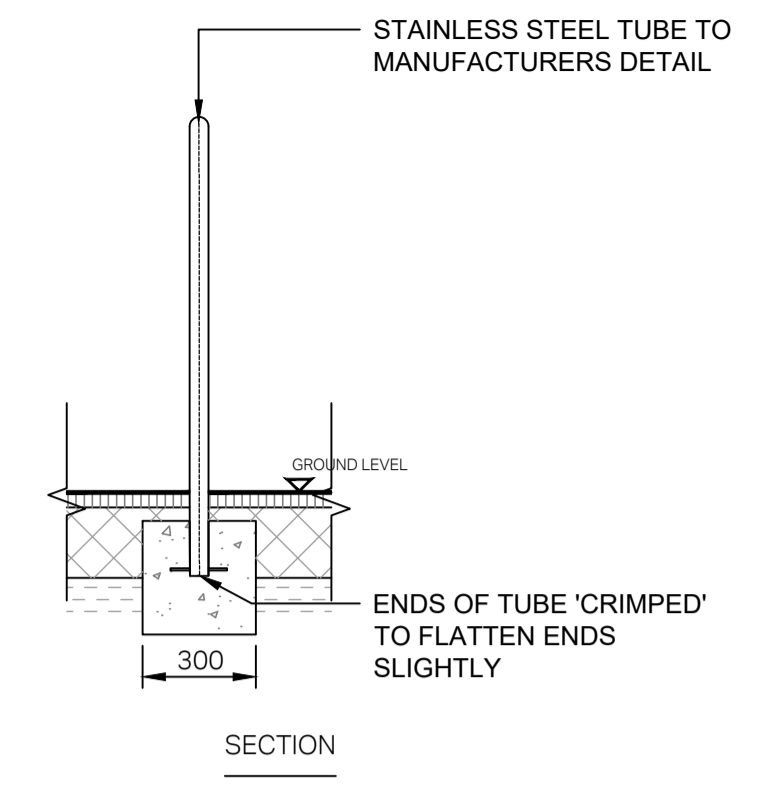
02 | TYPICAL BENCH HAVEN - OPTION 2

Scale 1:20@A1



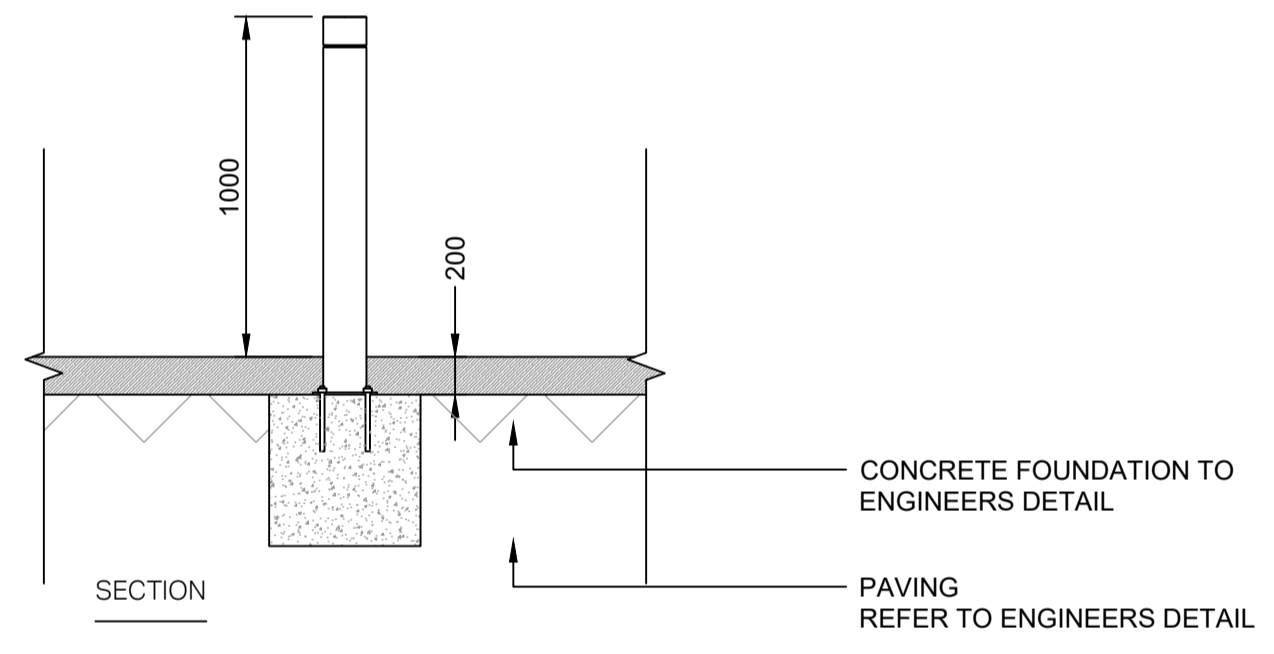
01 | SF-03: STAINLESS STEEL CYCLE STAND

7101 Scale 1:20@A1



03 | SF-06: BOLLARD

7101 Scale 1:20@A1



ISSUE/REVISION		
I/R	DATE	DESCRIPTION

PROJECT NUMBER
 60599677

SHEET TITLE
 FURNITURE DETAILS
 Sheet 2 of 2

SHEET NUMBER
 60599677-SHT-20-L-7101

This drawing has been prepared for the use of AECOM's client. It may not be used, modified, reproduced or relied upon by third parties, except as agreed by AECOM or as required by law. AECOM accepts no responsibility, and denies any liability, whatsoever, to any party that uses or relies on this drawing without AECOM's express written consent. Do not scale this document. All measurements must be obtained from the stated dimensions.