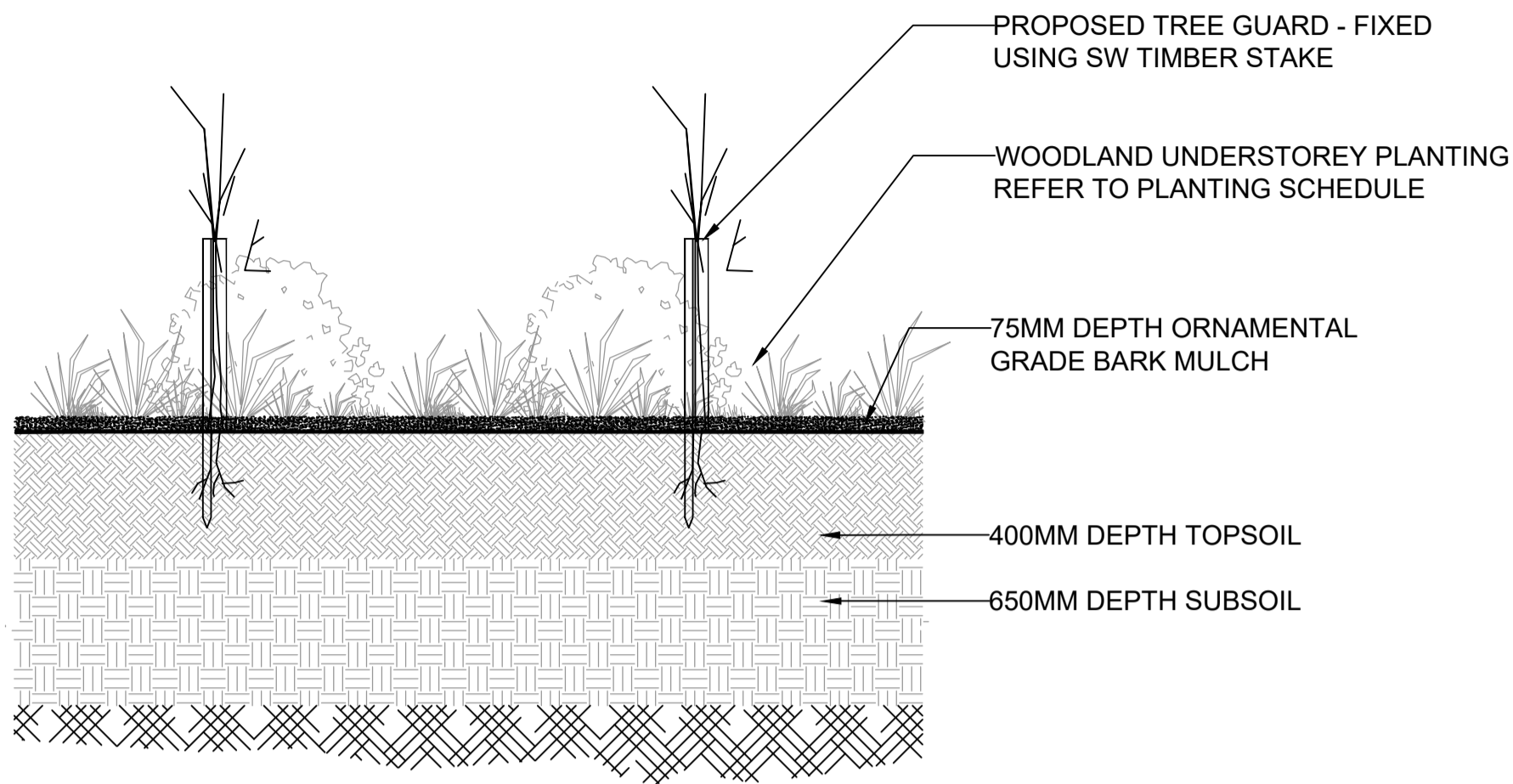


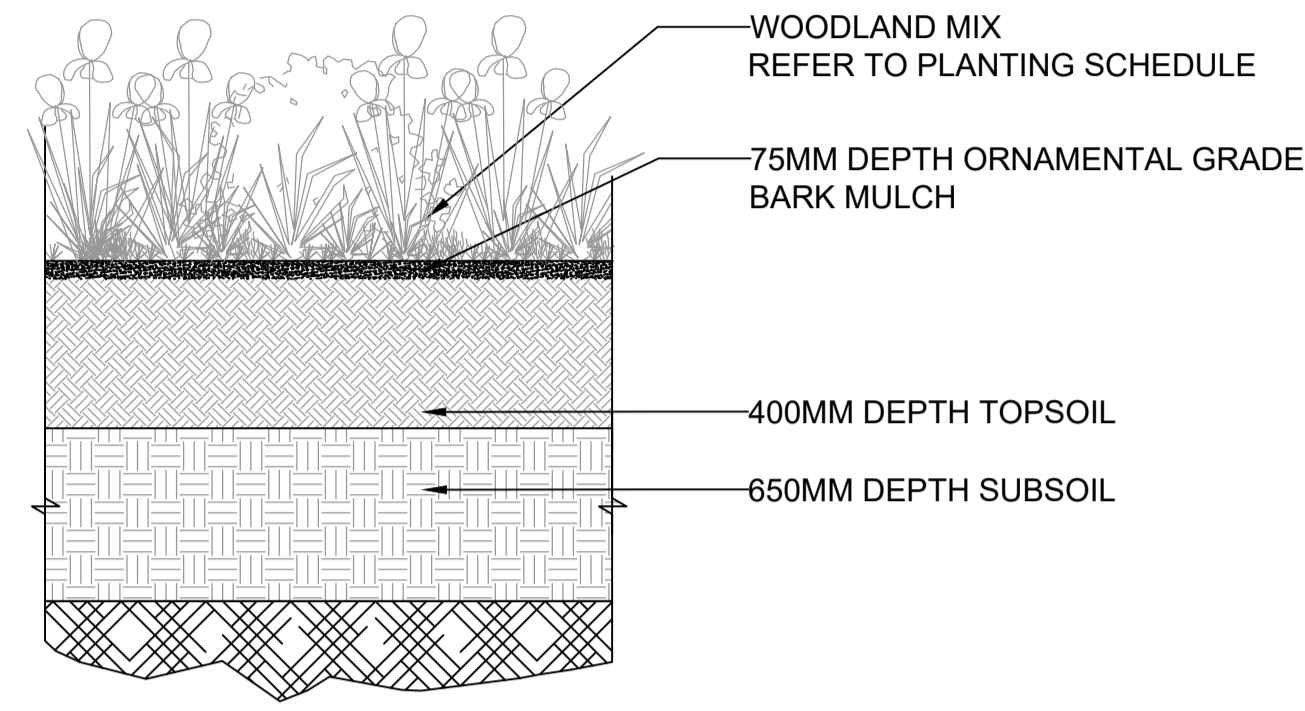


This drawing has been prepared for the use of AECOM's client. It may not be used, modified, reproduced or relied upon by third parties, except as agreed by AECOM or as required by law. AECOM accepts no responsibility, and denies any liability, whatsoever, to any party that uses or relies on this drawing without AECOM's express written consent. Do not scale this document. All measurements must be obtained from the stated dimensions.



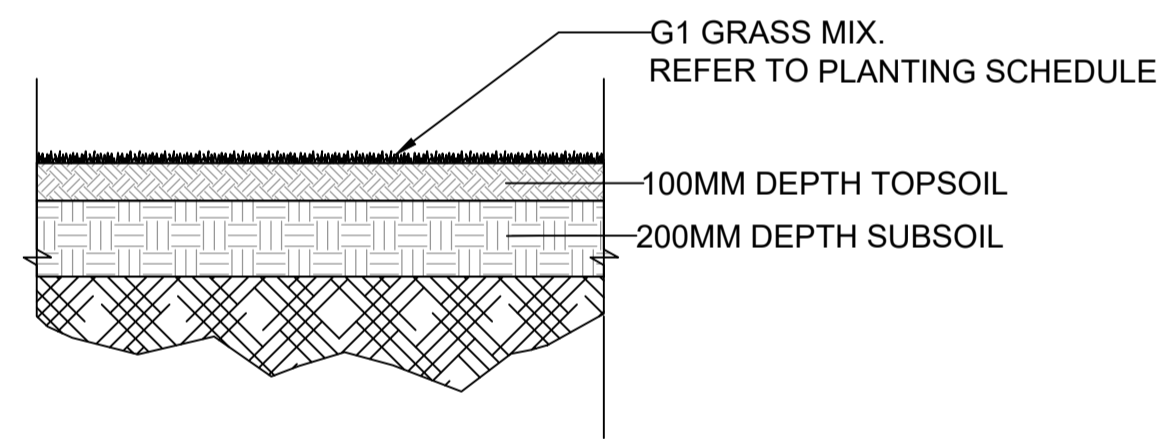
01 | TYPICAL WOODLAND SCREEN PLANTING

Scale 1:20@A1



02 | TYPICAL WOODLAND PLANTING

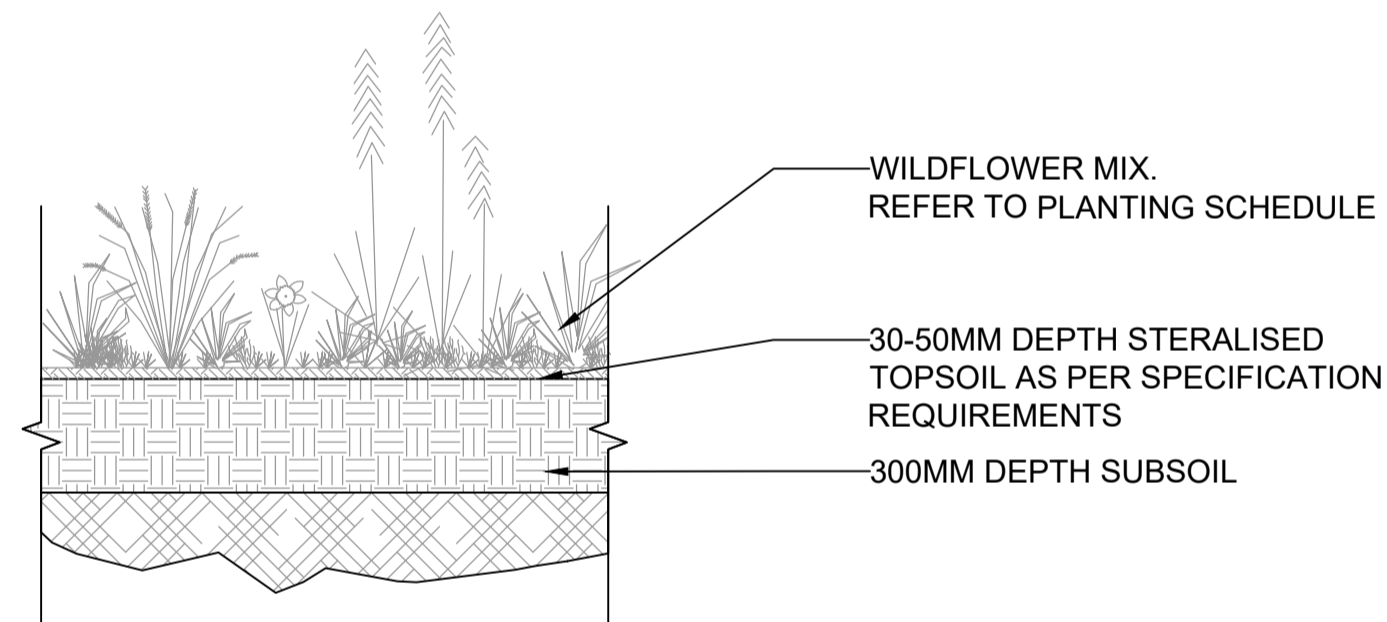
Scale 1:20@A1



03 | TYPICAL LAWN DETAIL

7202

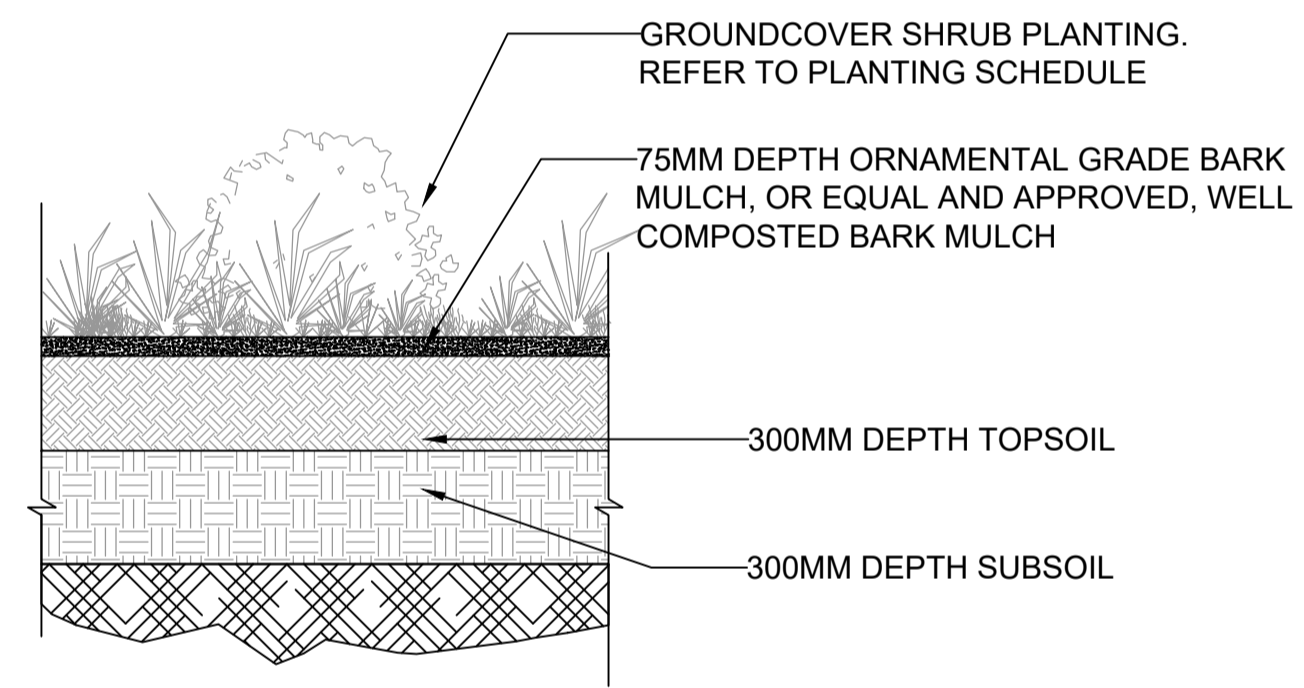
Scale 1:20@A1



04 | TYPICAL SOIL PROFILE: WILDFLOWER MIX

7202

Scale 1:20@A1



05 | TYPICAL GROUNDCOVER / SHRUB PLANTING

7202

Scale 1:20@A1

ISSUE/REVISION

I/R	DATE	DESCRIPTION
-	MARCH 2022	ISSUE FOR PART 8

PROJECT NUMBER

60599677

SHEET TITLE

SOFTSCAPE DETAILS
Sheet 3 of 3

SHEET NUMBER

60599677-SHT-20-L-7202